

Specifications & Ordering Information

EL-P-2Xxx		Pcs/Bag	EL-S-2Xxx		Pcs/Bag
<p>EL-P-2X02</p>		500	<p>EL-S-2X02</p>		500
<p>EL-P-2X03</p>		500	<p>EL-S-2X03</p>		500

All Connectors

www.allconnectors.eu | info@allconnectors.eu
Tel. +49 (0)711 / 358 110 20 | Fax +49 (0)711 / 358 110 25

PART NO. **EL-P(S)-2Xxx**

DWG NO. **EL-P(S)-2Xxx**

FILE NO.

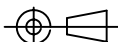
UNIT / mm

SCALE 1:1

CHECKED BY CY

DRAWING BY

PROJECTION



TOLERANCES ARE

.X ± 0.2
.XX ±
.XXX ±
AWG

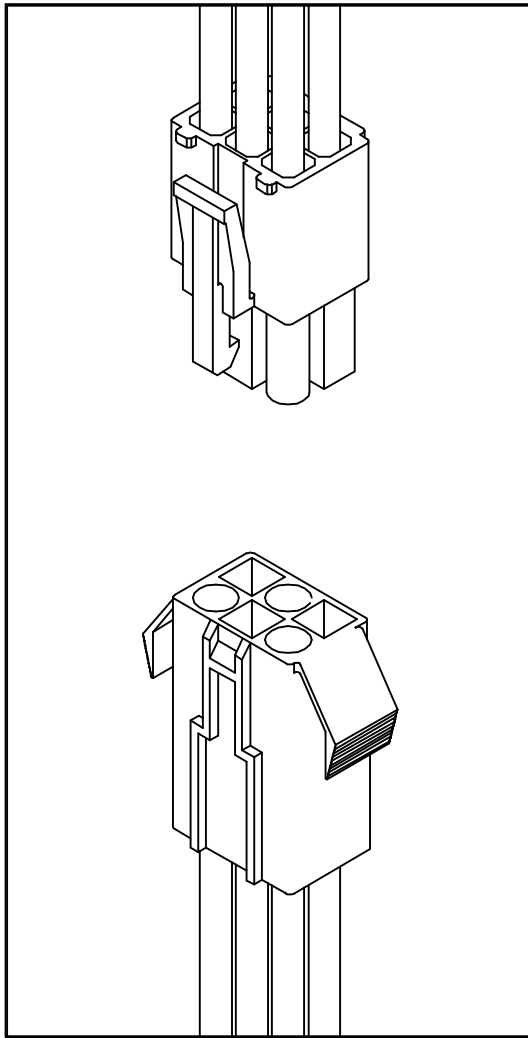
DESCRIPTION:

AREA

REVISIONS

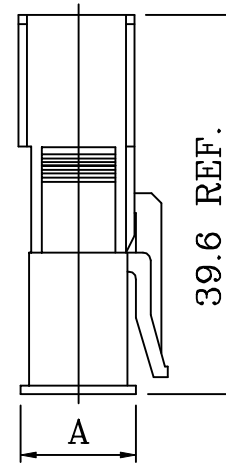
HK

DATE

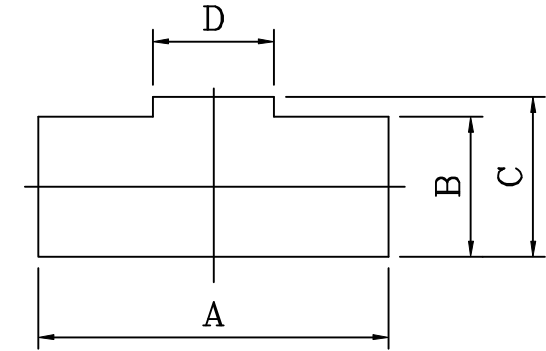


Assembly Layout

Circuits	Dimensions
	A
1X2	10.4
1X3	10.4
1X4	10.4
2X2	15.2
2X3	14.9
3X3	19.4
3X4	19.4
3X5	19.4



Panel Hole Layout



EL-P(S)-xXxx-LF
LEADFREE

RoHS Compliant

Specifications:

Poles	2~15 Poles
Pitch between poles	4.50mm
Rated Voltage	250V AC,DC
Rated Current	5A
Withstand Voltage	800V AC/minute
Contact Resistance	10mΩ (MAX.)
Insulation Resistance	1,000MΩ (MIN.)
Temperature Range	-25~+65°C
Applicable Panel Thickness	0.8~2.0mm
Applicable Wire Range	AWG #20~#24

Circuits	Part No	Panel Layout(Dimensions)			
		A	B	C	D
1X2	EL-P(S)-1X02	15.0	6.0	6.85	5.2
1X3	EL-P(S)-1X03	19.7	6.0	6.85	5.2
1X4	EL-P(S)-1X04	24.2	6.0	6.85	5.2
2X2	EL-P(S)-2X02	15.6	10.6	11.60	5.2
2X3	EL-P(S)-2X03	19.7	10.2	11.10	5.2
3X3	EL-P(S)-3X03	19.7	14.8	15.70	5.2
3X4	EL-P(S)-3X04	24.2	14.8	15.70	5.2
3X5	EL-P(S)-3X05	28.7	14.8	15.70	5.2

All Connectors

www.allconnectors.eu | info@allconnectors.eu
Tel. +49 (0)711 / 358 110 20 | Fax +49 (0)711 / 358 110 25

PART NO. EL-P(S)-2Xxx

DWG NO. EL-P(S)-2Xxx

FILE NO.

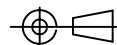
UNIT / mm

SCALE 1:1

CHECKED BY CY

DRAWING BY

PROJECTION



TOLERANCES ARE

.X ± 0.2
.XX ±
.XXX ±
AWG

DESCRIPTION:

AREA

REVISIONS

HK

DATE