

Specifications & Ordering Information:

EL-P-1Xxx		Pcs/Bag	EL-S-1X xx		Pcs/Bag
		1000			1000
<b>EL-P-1X02</b>			<b>EL-S-1X 02</b>		
		1000			1000
<b>EL-P-1 X03</b>			<b>EL-S-1X 03</b>		
		500			500
<b>EL-P-1 X03</b>			<b>EL-S-1X 03</b>		

**All Connectors**

www.allconnectors.eu | info@allconnectors.eu  
Tel. +49 (0)711 / 358 110 20 | Fax +49 (0)711 / 358 110 25

PART NO. **EL-P(S)-1Xxx**

DWG NO. **EL-P(S)-1Xxx**

FILE NO.

UNIT / mm

SCALE 1:1

CHECKED BY CY

DRAWING BY

PROJECTION



TOLERANCES ARE

.X ± 0.2  
.XX ±  
.XXX ±  
AWG

DESCRIPTION:

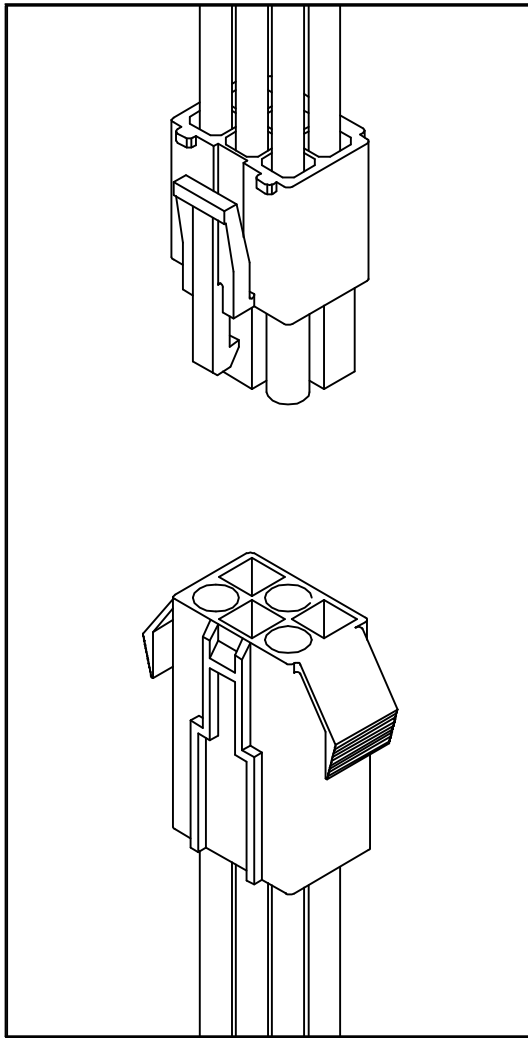
AREA

Features:  
\* Available in 2 through 15 circuits  
\* Material: Nylon 66 UL 94V-0

REVISIONS

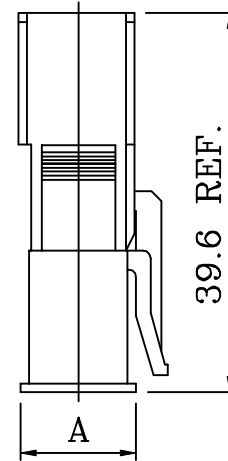
HK

DATE

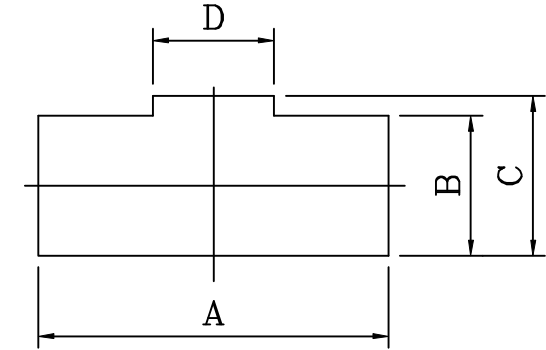


### Assembly Layout

Circuits	Dimensions
	A
1X2	10.4
1X3	10.4
1X4	10.4
2X2	15.2
2X3	14.9
3X3	19.4
3X4	19.4
3X5	19.4



### Panel Hole Layout



EL-P(S)-1Xxx-LF

LEADFREE

RoHS Compliant

### Specifications:

Poles	2~15 Poles
Pitch between poles	4.50mm
Rated Voltage	250V AC,DC
Rated Current	5A
Withstand Voltage	800V AC/minute
Contact Resistance	10mΩ (MAX.)
Insulation Resistance	1,000MΩ (MIN.)
Temperature Range	-25~+65°C
Applicable Panel Thickness	0.8~2.0mm
Applicable Wire Range	AWG #20~#24

Circuits	Part No	Panel Layout(Dimensions)			
		A	B	C	D
1X2	EL-P(S)-1X02	15.0	6.0	6.85	5.2
1X3	EL-P(S)-1X03	19.7	6.0	6.85	5.2
1X4	EL-P(S)-1X04	24.2	6.0	6.85	5.2
2X2	EL-P(S)-2X02	15.6	10.6	11.60	5.2
2X3	EL-P(S)-2X03	19.7	10.2	11.10	5.2
3X3	EL-P(S)-3X03	19.7	14.8	15.70	5.2
3X4	EL-P(S)-3X04	24.2	14.8	15.70	5.2
3X5	EL-P(S)-3X05	28.7	14.8	15.70	5.2

**All Connectors**

www.allconnectors.eu | info@allconnectors.eu  
Tel. +49 (0)711 / 358 110 20 | Fax +49 (0)711 / 358 110 25

PART NO. EL-P(S)-1Xxx

DWG NO. EL-P(S)-1Xxx

FILE NO.

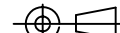
UNIT / mm

SCALE 1:1

CHECKED BY CY

DRAWING BY

PROJECTION



TOLERANCES ARE

.X ± 0.2  
.XX ±  
.XXX ±  
AWG

DESCRIPTION:

AREA

REVISIONS

HK

DATE