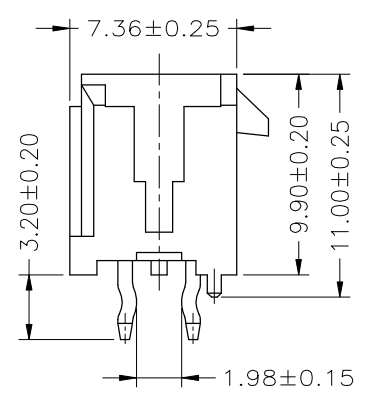
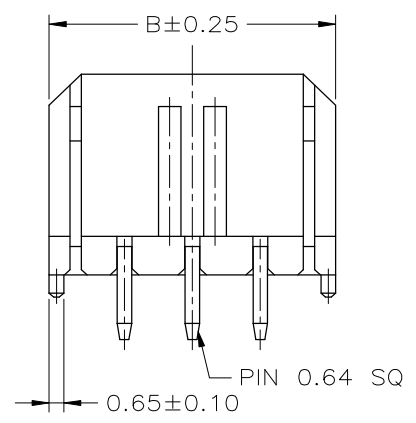
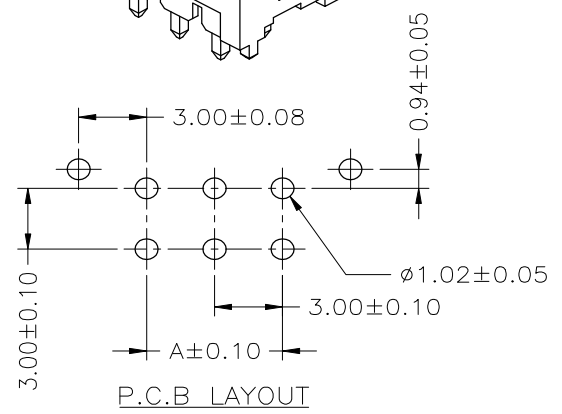
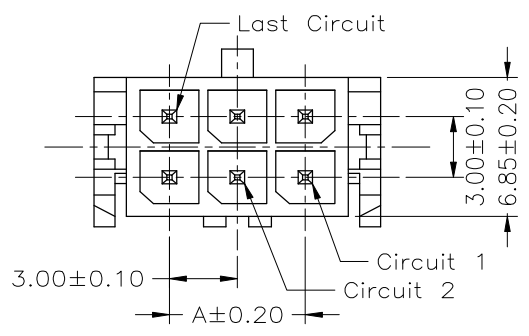


**SPECIFICATIONS**  
 Current Rating: 5A AC,DC  
 Voltage Rating: 250V AC,DC  
 Temperature Range: -25°C ~ +85°C  
 Contact Resistance: 10mΩ Max  
 Insulation Resistance: 1000MΩ Min  
 Withstanding Voltage: 1500V AC/minute  
 Pin Material: Brass/Tin-plated  
 Material: PBT30%GF,UL94V-0



**Ordering Information & Dimensions**

PART NO.	Dimensions	
	A	B
MIF-PDP-2X01	---	6.65
MIF-PDP-2X02	3.00	9.65
MIF-PDP-2X03	6.00	12.65
MIF-PDP-2X04	9.00	15.65
MIF-PDP-2X05	12.00	18.65
MIF-PDP-2X06	15.00	21.65
MIF-PDP-2X07	18.00	24.65
MIF-PDP-2X08	21.00	27.65
MIF-PDP-2X09	24.00	30.65
MIF-PDP-2X10	27.00	33.65
MIF-PDP-2X11	30.00	36.65
MIF-PDP-2X12	33.00	39.65

**Allconnectors**  
 www.allconnectors.eu | info@allconnectors.eu  
 Tel. +49 (0)711 / 358 110 20 | Fax +49 (0)711 / 358 110 25

PART NO. MIF-PDP-2Xxx		APPROVED BY CY		TOLERANCES ARE .X .XX .XXX AWG	DESCRIP TION: <b>3.00mm PITCH 180° WAFER, MICRO-FIT</b>
DWG NO. MIF-PDP-2Xxx		DRAWING BY			
FILE NO.		PROJECTION		AREA	REVISIONS
UNIT / mm	SCALE 1:1			HK	DATE