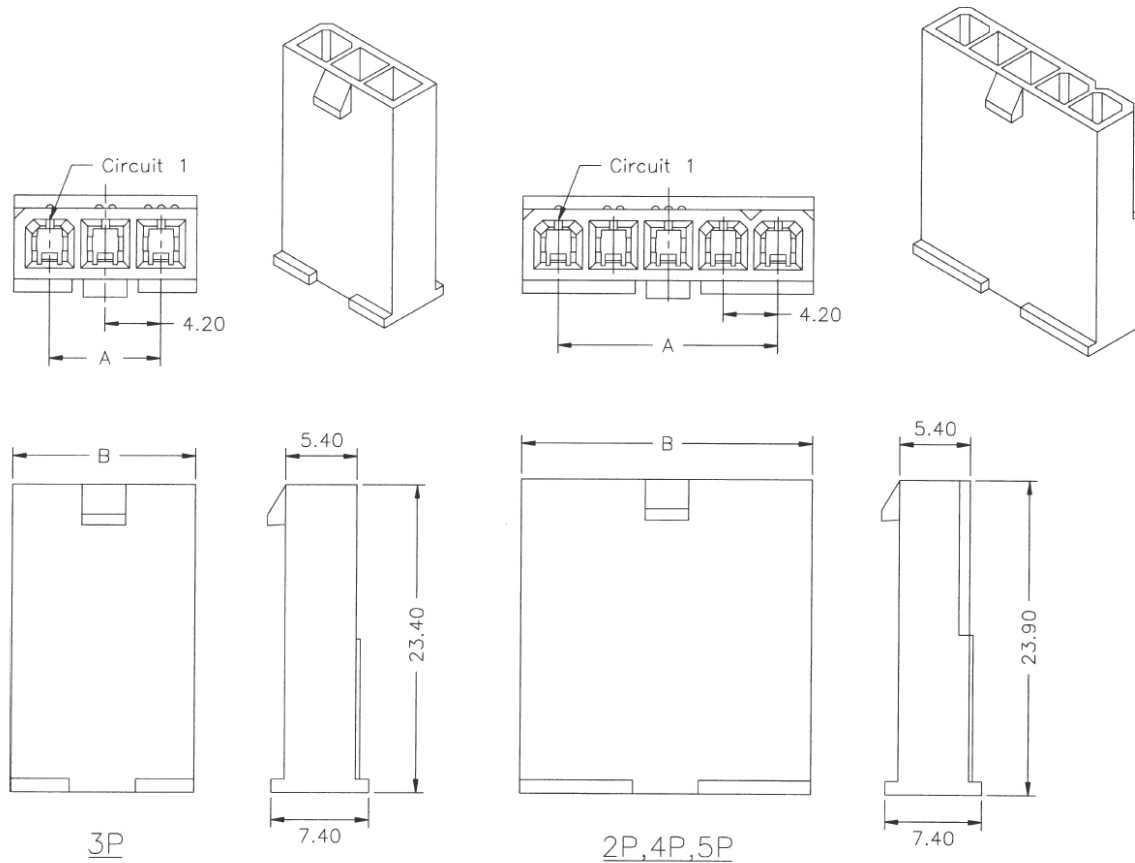


## Reference Informations:

\*Material: Nylon 66,UL94V-0 or UL94V-2

\*Suitable H.R C4255M series Terminal

\*Mates with H.R C4255HF series single row Housing



## Ordering Information & Dimensions:

PART NO.	Dimensions	
	A	B
MF-9358-1X02	4.20	9.60
MF-9358-1X03	8.40	13.80
MF-9358-1X04	12.60	18.00
MF-9358-1X05	16.80	22.20

Unit:mm

**All Connectors**  
[www.allconnectors.eu](http://www.allconnectors.eu) | [info@allconnectors.eu](mailto:info@allconnectors.eu)  
 Tel. +49 (0)711 / 358 110 20 | Fax +49 (0)711 / 358 110 25

PART NO. MF-9358-1XXX

DWG NO. MF-9358-1XXX

FILE NO.

UNIT / mm

SCALE 1:1

CHECKED BY CY

DRAWING BY

PROJECTION



TOLERANCES ARE

.X ± 0.2

.XX ±

.XXX ±

AWG

DESCRIPTION:

AREA

REVISIONS

HK

DATE