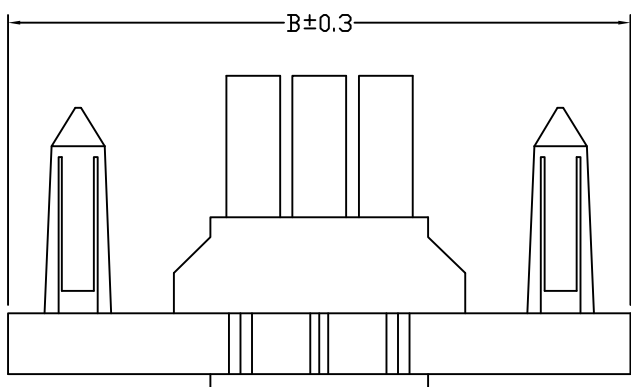


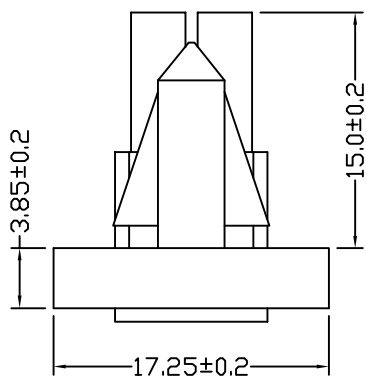
■ SPECIFICATIONS

- Voltage rating: 600V AC, DC
- Current rating: 7A, AC, DC
- Withstanding Voltage: 1500V AC/minute
- Insulation resistance: 1000M min
- Temperature range: -40°C~+105°C
- Applicable PC board thickness: .063" (1.6mm)
- Contact resistance: Initial Value/10m max
- After environmental testing/20m max



■ WAFER

- Part No.: MF-9357WF-XX
- Poles: 04-24
- Material: Nylon 66 UL 94V-0 or UL 94V-2
- Q`ty: 1000pcs/bag



Poles	Part No	Dimensions (mm)	
		A	B
4	9357WF-04	4.20	40.20
6	9357WF-06	8.40	44.40
8	9357WF-08	12.60	48.60
10	9357WF-10	16.80	52.80
14	9357WF-14	25.20	61.20
18	9357WF-18	33.60	69.60
24	9357WF-24	37.80	82.20
36	9357WF-36	46.20	107.40

APPROVED BY	DATE	SCALE	TOLERANCE	
	2007/04/15	4:1	.0	±0.3
CHECKED BY	UNIT	VIEW	.00	±0.2
	mm		.000	±0.1
DRAWN BY	VER NO.	SIZE	.0	±
	D1	A1	.0	±