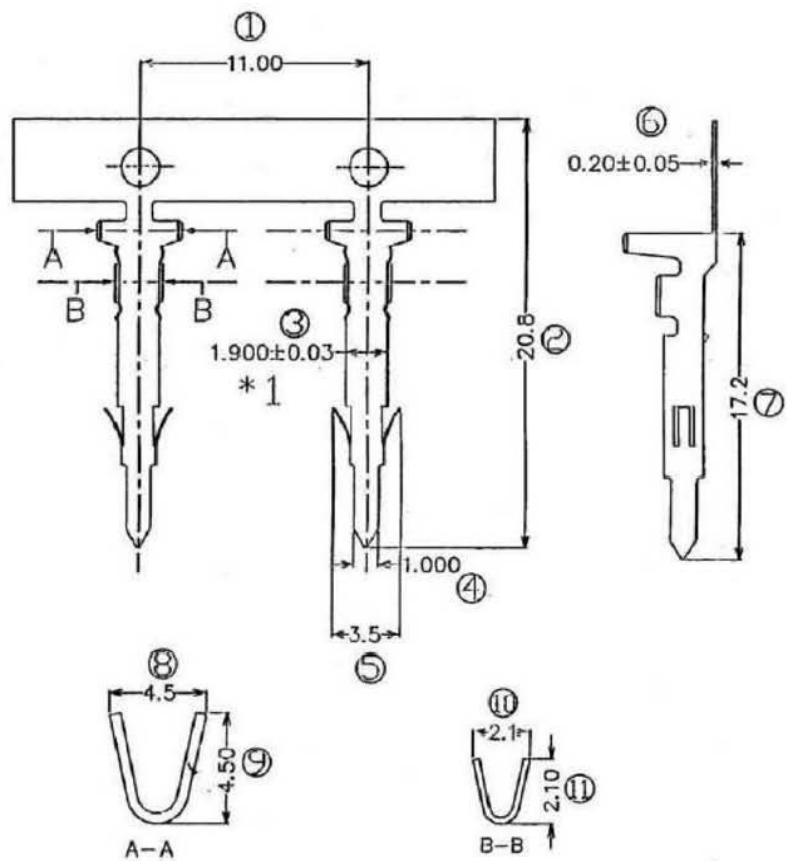


4. 14mm WIRE TO WIRE CONNECTOR, CRIMP TERMINAL, REEL PACKAGING ROHS COMPLIANT



Material Information:
 Terminal material:
 Phosphor bronze
 Contact plating:
 min. 50µm Tin plated over Nickel
 Thickness: 0.20mm
 Terminal retention force requires: 3.5kg min.
 QTY/Reel: 4000PCS (Standard)

Technical Specifications:
 Current rating: 7 Amp
 Voltage rating: 600V AC/DC
 Withstanding voltage: 1500V AC/minute
 Contact resistance: 20mΩ max.
 Applicator: AWC#18-#22

Ordering Information

TMS - 414 XX

①

- ① Packing:
 01 : Full Reel (4000 parts per reel)
 02 : Loose (PE bag)

<p>www.allconnectors.de info@allconnectors.de Tel: 0049 711 3003333 07074 Hildersbach - Germany</p>	绘图 (DRAWN) 孙高田	投影 (PROJECT)	公差 (TOLERANCE)	料号 (PART NO)	TMS - 414 XX
	审核 (CHECKED) 刘思晴	单位 (UNIT) MM	0.0 ± 0.30	品名 (NAME)	
	核准 (APPROVE)	比例 (SCALE) 1:1	0.00 ± 0.20		4.14 线对线 母座端子
		版本 (EDITION) A			
		日期 (DATE) 2013/12/14			