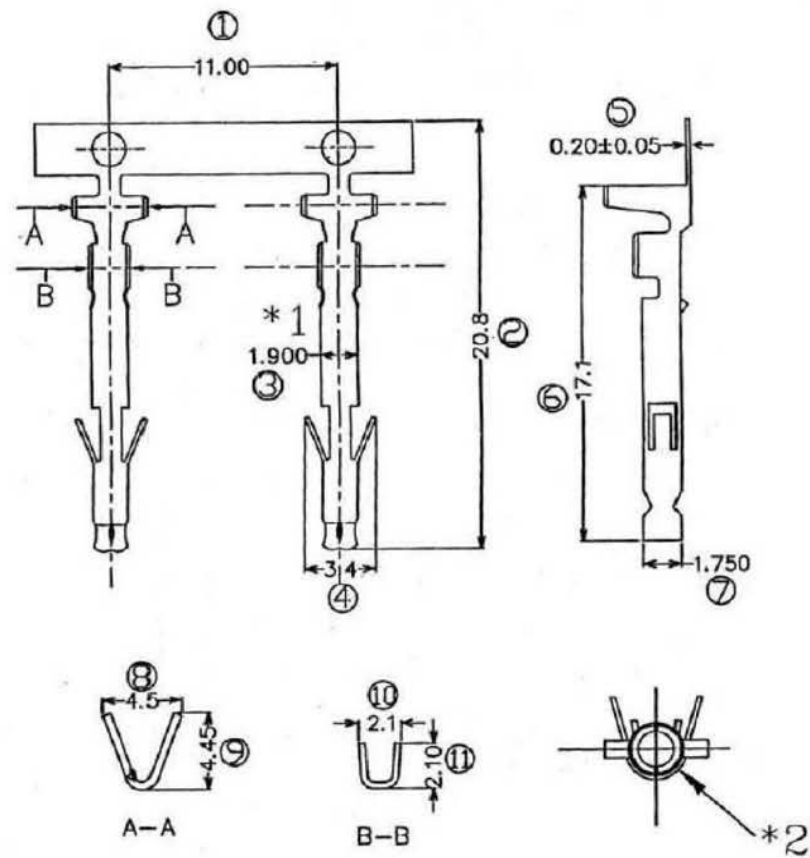


4. 14mm WIRE TO WIRE CONNECTOR, CRIMP CONTACT, REEL PACKAGING
ROHS COMPLIANT



Material Information:
Terminal material:
Phosphor bronze
Contact plating:
min. 50u" Tin plated over Nickel
Thickness: 0.20mm
Terminal retention force requires: 3.5kg min.
QTY/Reel: 4000PCS (Standard)

Technical Specifications:
Current rating:
7 Amp
Voltage rating: 600V AC/DC
Withstanding voltage: 1500V AC/minute
Contact resistance: 20mΩ max.
Applicator: AWC#18-#22

Ordering Information
TMP - 414 XX
①

① Packing:
01 : Full Reel (4000 parts per reel)
02 : Loose (PE bag)

绘图 (DRAWN)	孙高田	投影 (PROJECT)	
审核 (CHECKED)	刘思晴	单位 (UNIT)	MM
核准 (APPROVE)		比例 (SCALE)	1:1
		版本 (EDITION)	A
		日期 (DATE)	2013/12/14

公差 (TOLERANCE)	料号 (PART NO)	TMP - 414 XX
0.0 ± 0.30	品名 (NAME)	
0.00 ± 0.20	4.14 线对线 公座端子	