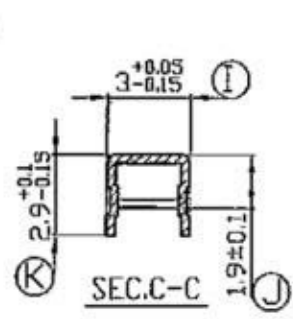
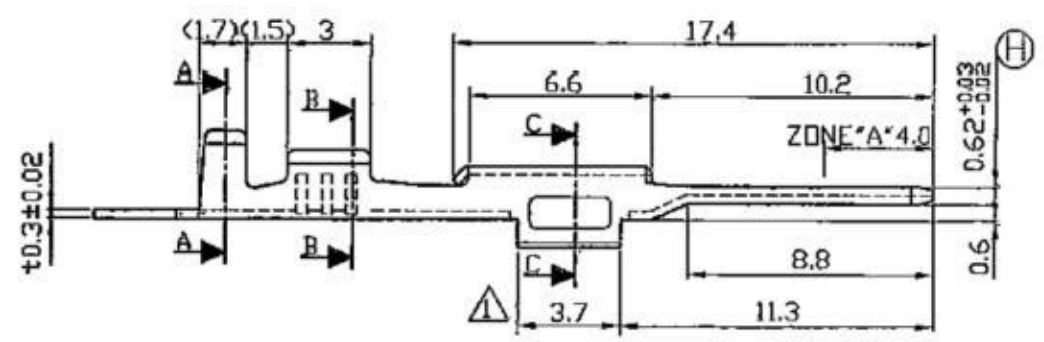


說明:
 1.預鍍錫膜厚40u"以上。
 2.擇鍍金Zone"A"測厚區5u"以上。
 線徑: 0.3-0.5mm"

NOTE:
 1.Pre-Tin Plated Thickness More Than 40u".
 2.Selective Gold Plating 5u" Over Zone"A"

Q090-MT-20-LF
 LEADFREE

RoHS Compliant



All Connectors

PART NO. Q090-MT-20

DWG NO. Q090-MT-20

CHECKED BY CY

TOLERANCES ARE

DESCRIPTION:

FILE NO.

DRAWING BY

X ± 0.2
 XX ± 0.1
 XXX ± 0.05
 AWG

AREA	REVISIONS	HK	DATE

UNIT / mm

SCALE 1:1

PROJECTION