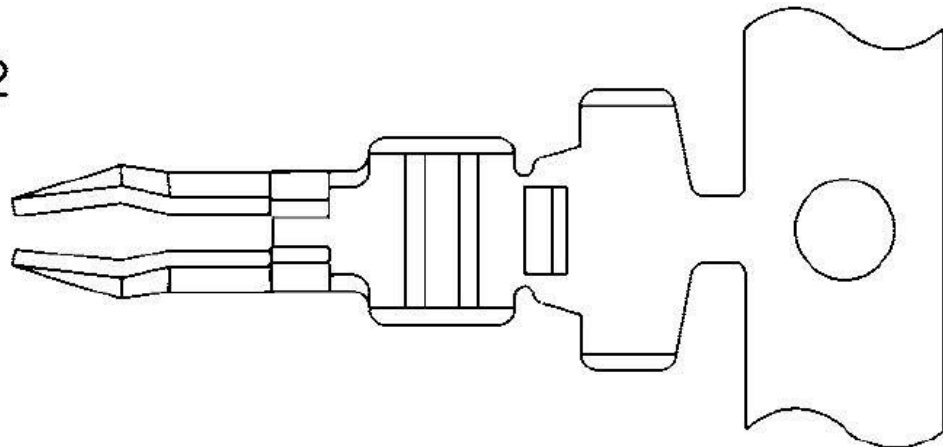
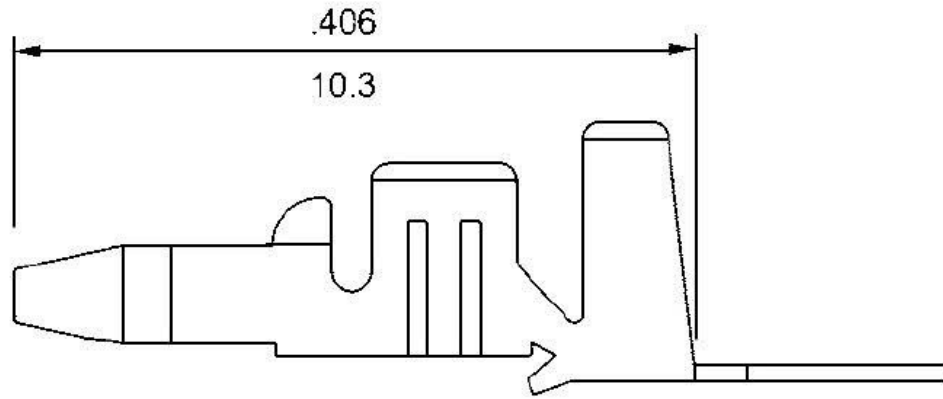


- Material: Brass
- Finished: Tin-plated
- Wire range: AWG #16 ~ #22
- Thickness: 0.25mm



SDN-T-16-LF
 LEADFREE
 RoHS Compliant



All Connectors

Amesbury, MA
 Tel: 978 700 9500
 Fax: 978 700 9504
 www.allconnectors.com

PART NO. SDN-T-16

DWG NO. SDN-T-16

FILE NO.

UNIT / mm

SCALE 1:1

CHECKED BY CY

DRAWING BY

PROJECTION

TOLERANCES ARE

X ± 0.2
 XX ±
 XXX ±
 AWG

DESCRIPTION:

AREA

REVISIONS

HK

DATE