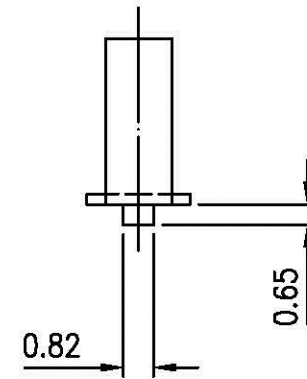
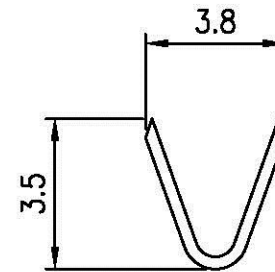
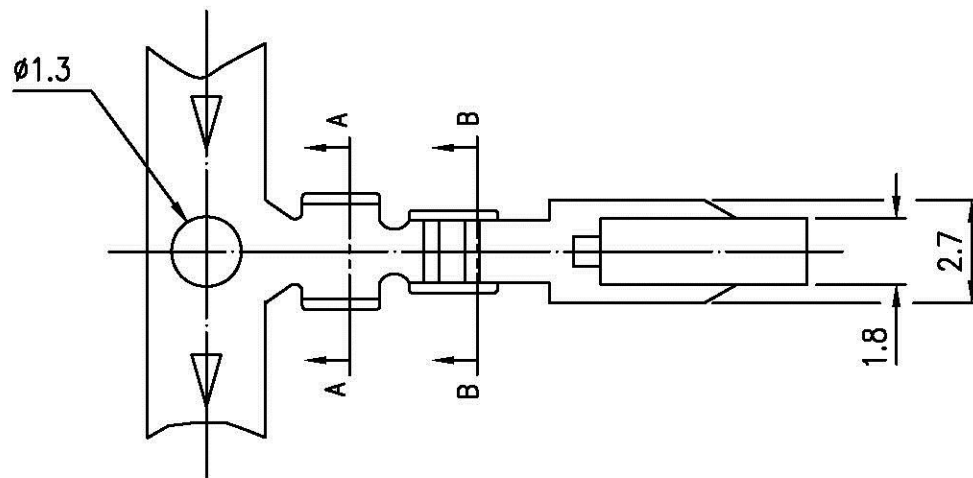


■ **TERMINAL**

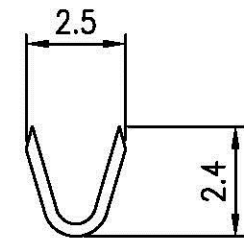
- Part No: KK-T-18
- Material: Brass
- Thickness: 0.25mm
- Plating: Tin plated 60u"
- Wire Range: Suitable for AWG#18~26
- Insulation O.D: 2.5mm (max)
- Q'TY: 6,000 pcs/roll



PB-T-18-LF  
LEADFREE  
RoHS Compliant



A-A SECTION



B-B SECTION

**All Connectors**

www.allconnectors.com  
Tel: 0049 711 4009988  
All-Connectors GmbH  
70/74 Hildenerstr. - Germany

PART NO. PB-T-18

DWG NO. PB-T-18

FILE NO.

UNIT / mm

SCALE 1:1

APPROVED BY CY

DRAWING BY

PROJECTION



TOLERANCES ARE

.X  
.XX  
.XXX  
AWG

DESCRIPTION:

3.96mm Pitch Terminal

AREA

REVISIONS

HK

DATE