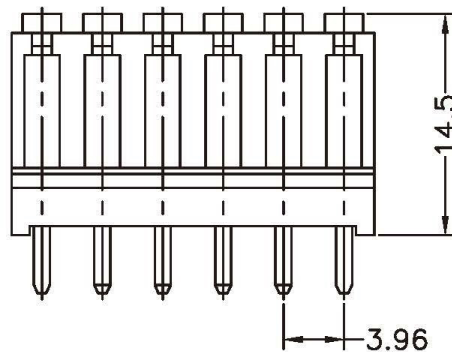
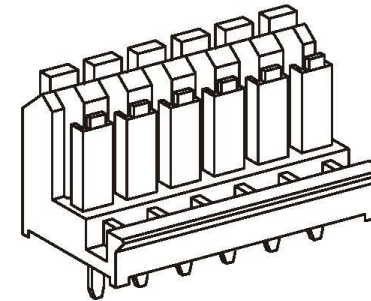
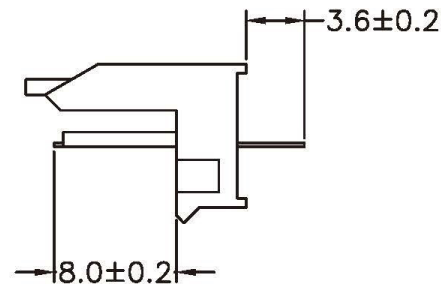
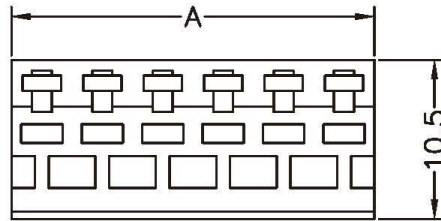


MATERIAL: NYLON 66.UL94V-2  
 BRASS PIN  
 CURRENT RATING: 7A AC, DC  
 VOLTAGE RATING: 250V AC, DC  
 TEMPERATURE RANGE: -25°C ~ +85°C  
 INSULATION RESISTANCE: 1,000M OHM min.  
 WITHSTAND VOLTAGE: 1500V AC/minute



CIRCUITS	PART NO	DIMENTION-A
6	PB-D-06	23.8±0.10
12	PB-D-12	47.5±0.20

**All Connectors**

www.allconnectors.de info@allconnectors.de  
 Tel.: 0049 711 7009503 Fax: 0049 711 7009504  
 70794 Filderstadt - Germany Kettenerstr. 25

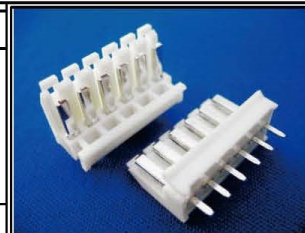
**RoHS Compliant**

DRAWING BY CY  
 CHECKED BY GENIUS  
 UNIT / mm SCALE 1 : 1  
 DATE  
 SIZE A4

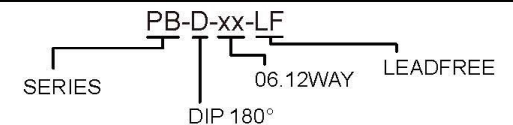
TOLERANCES ARE

X ±  
 .X ±  
 .XX ±  
 .XXX ±  
 ANG ±

P PROJECTION



**ORDER INFORMATION**



DESCRIPTION: 3.96mm POWER BASE 6P & 12P