

## Wire To Board Connectors

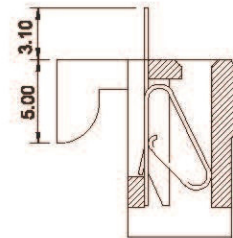
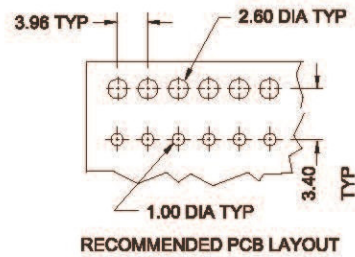
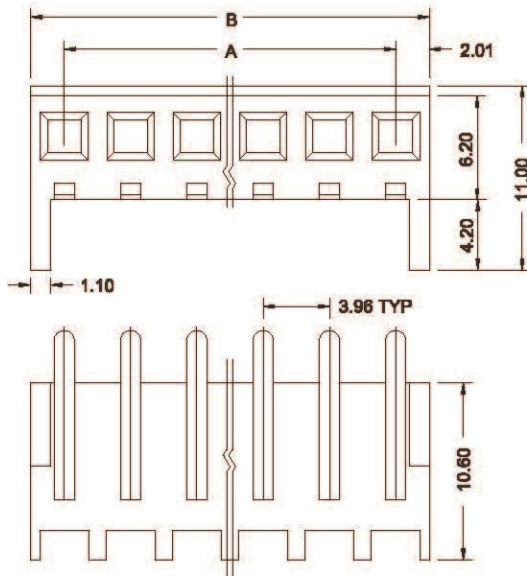
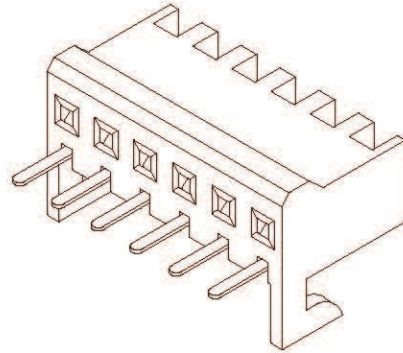
### KLS1-3.96B 3.96mm pitch Bottom Entry Housing

#### Electrical Specification:

Current rating : 5A, AC/DC  
Voltage rating : 250V, AC/DC  
Mates with 1.14mm square pin headers  
Tolerance:(unit:mm) .0 ±0.25/ .00 ±0.15/ .000 ±0.10

#### Material:

Housing: Nylon UL 94V-2



#### Ordering Information & Dimensions:

PART NO.	A	B	PART NO.	A	B
3.96B-2P-BW	3.96	7.98	3.96B-9P-BW	31.68	35.70
3.96B-3P-BW	7.92	11.94	3.96B-10P-BW	35.64	39.66
3.96B-4P-BW	11.88	15.90	3.96B-11P-BW	39.60	43.62
3.96B-5P-BW	15.84	19.86	3.96B-12P-BW	43.56	47.58
3.96B-6P-BW	19.80	23.82	3.96B-13P-BW	47.52	51.54
3.96B-7P-BW	23.76	27.78	3.96B-14P-BW	51.48	55.50
3.96B-8P-BW	27.72	31.74	3.96B-15P-BW	55.44	59.46

## ORDER INFORMATION

Product NO.: KLS1-3.96B-10-BW

Pitch: 3.96=3.96mm

PIN Number: 2~15pin

Type:

AW: 3.96mm pitch Right Angle Mount Housing  
BW: 3.96mm pitch Bottom Entry Housing  
CW: 3.96mm pitch Top Entry Housing