

Connector

Wire To Board Connectors

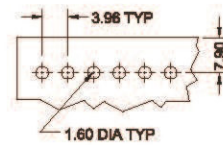
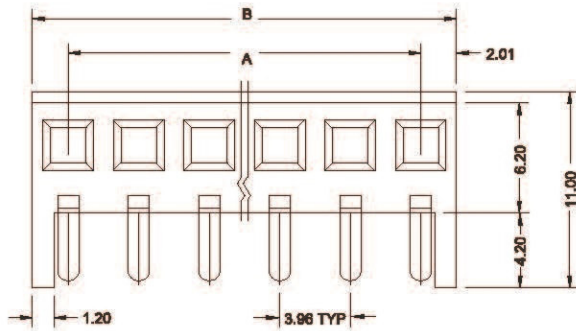
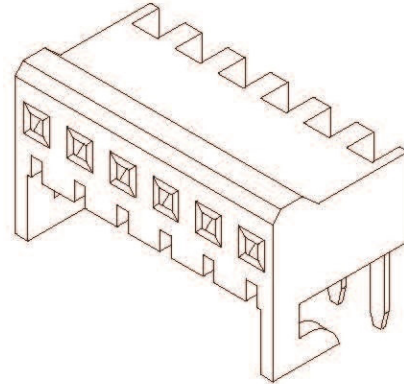
KLS1-3.96B 3.96mm pitch Right Angle Mount Housing

Electrical Specification:

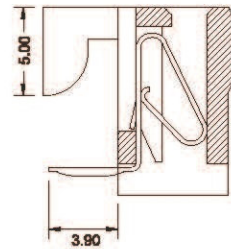
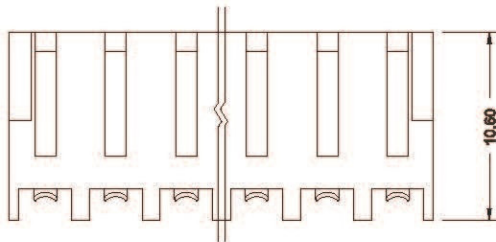
Current rating : 5A, AC/DC
Voltage rating : 250V, AC/DC
Mates with 1.14mm square pin headers
Tolerance:(unit:mm) .0 ±0.25/ .00 ±0.15/ .000 ±0.10

Material:

Housing: Nylon UL 94V-2



RECOMMENDED PCB LAYOUT



Ordering Information & Dimensions:

PART NO.	A	B
3.96B-2P-AW	3.96	7.98
3.96B-3P-AW	7.92	11.94
3.96B-4P-AW	11.88	15.90
3.96B-5P-AW	15.84	19.86
3.96B-6P-AW	19.80	23.82
3.96B-7P-AW	23.76	27.78
3.96B-8P-AW	27.72	31.74

PART NO.	A	B
3.96B-9P-AW	31.68	35.70
3.96B-10P-AW	35.64	39.66
3.96B-11P-AW	39.60	43.62
3.96B-12P-AW	43.56	47.58
3.96B-13P-AW	47.52	51.54
3.96B-14P-AW	51.48	55.50
3.96B-15P-AW	55.44	59.46

ORDER INFORMATION

Product NO.: KLS1-3.96B-10-AW

Pitch: 3.96=3.96mm

PIN Number: 2~15pin

Type:

AW: 3.96mm pitch Right Angle Mount Housing
BW: 3.96mm pitch Bottom Entry Housing
CW: 3.96mm pitch Top Entry Housing