

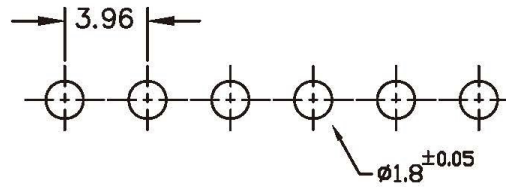
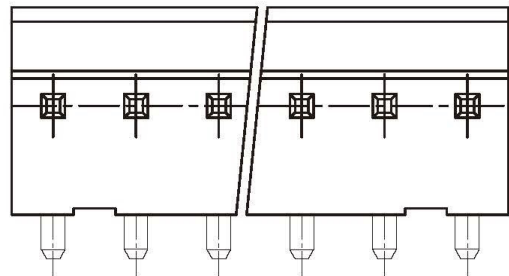
# SPECIFICATIONS

## Electrical

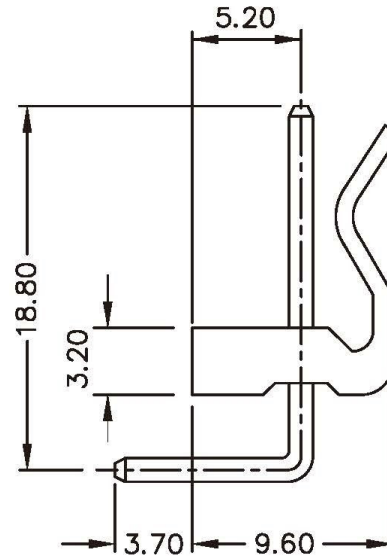
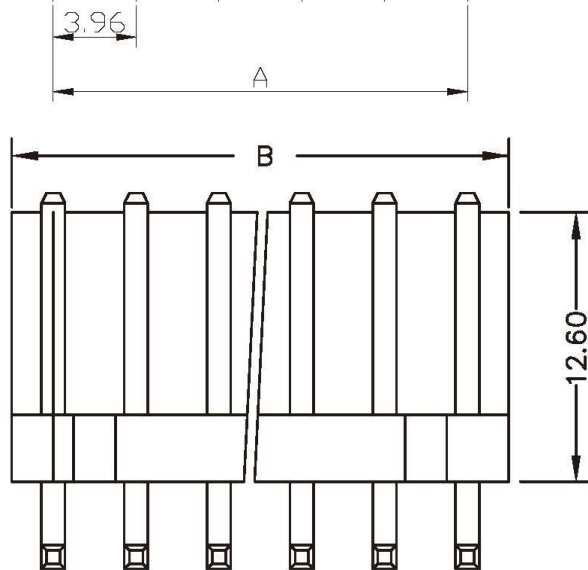
Current Rating: 5A AC, DC  
 Voltage Rating: 250V AC, DC  
 Operating Temp.: -25°C ~ +85°C  
 Insulation Resistance: 1000MΩ / min.  
 Dielectric Withstanding Voltage: 1500V AC/ min.  
 Contact Resistance: 10mΩ / max.

## Material

Material: Nylon66, UL94V-2



RECOMMENDED P.C.BOARD HOLE DIMM.



註  
 2P-10P公差值為±0.3mm  
 11P-20P公差值為±0.5mm

Poles	Dimension mm (in.)		Part No.	Note.
	A	B		
2	3.96	8.00	KK-R-02	
3	7.92	12.00	KK-R-03	
4	11.88	15.90	KK-R-04	
5	15.84	20.00	KK-R-05	
6	19.80	24.00	KK-R-06	
7	23.76	27.90	KK-R-07	
8	27.72	31.90	KK-R-08	
9	31.86	35.80	KK-R-09	
10	35.64	39.90	KK-R-10	
11	39.60	43.90	KK-R-11	
12	43.56	47.80	KK-R-12	
13	47.52	51.80	KK-R-13	
14	51.48	55.70	KK-R-14	
15	55.44	59.80	KK-R-15	
16	59.40	63.80	KK-R-16	
17	63.36	67.70	KK-R-17	
18	67.32	71.70	KK-R-18	
19	71.28	75.60	KK-R-19	
20	75.24	79.80	KK-R-20	

**All Connectors**

www.allconnectors.de info@allconnectors.de  
 Tel.: 0049 711 7009503 Fax: 0049 711 7009504  
 70794 Filderstadt - Germany Kettenerstr. 25

**RoHS Compliant**

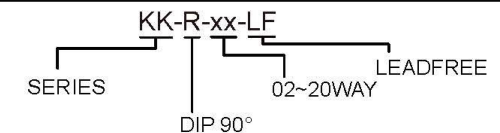
DRAWING BY CY  
 CHECKED BY GENIUS  
 UNIT / mm SCALE 1 : 1  
 DATE  
 SIZE A4 PROJECTION

TOLERANCES ARE

X ± 0.30  
 X ± 0.30  
 .XX ±  
 .XXX ±  
 ANG ±



**ORDER INFORMATION**



DESCRIPTION: 3.96mm Wire-to-Board Header Dip 90° Type