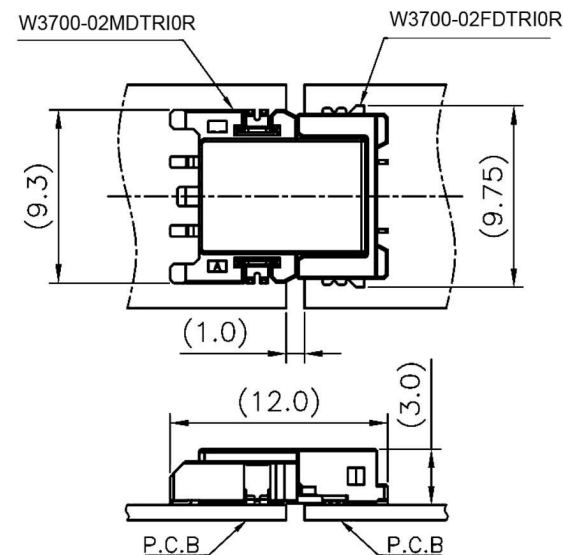
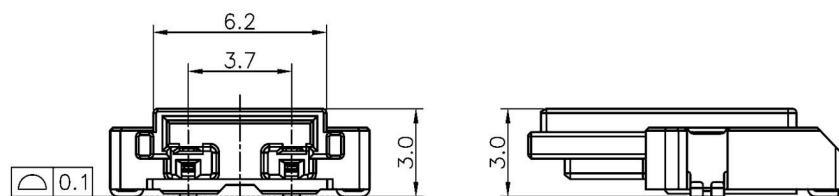


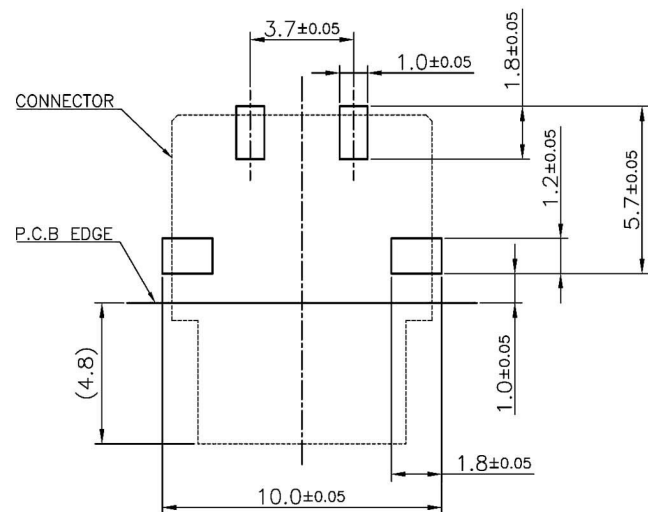
NOTES:

1. MATERIAL:
HOUSING: HIGH TEMP PLASTIC,UL94V-0 NATURE
2. TERMINAL&EAR: COPPER ALLOY FINISH: TIN PLATED



MATED CONNECTOR(REFERENCE)

SCALE 2:1



RECOMMENDED P.C.B LAYOUT

RoHS
Compliant

All Connectors

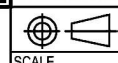
www.allconnectors.de
Tel.: 0049 711 7009503
70794 Filderstadt - Germany

info@allconnectors.de
Fax: 0049 711 7009504
Kettnerstr. 25

APPD.
核准 Betty

DWG.
製圖 Betty

DATE 制表日
2013/10/04



SCALE
比例 參考

UNIT
單位 M M
PAGE
張數 1 OF 1

TOLERANCE
X' ± 0.40 X' ± 5.0'
.X' ± 0.30 .X' ± 2.0'
.XX' ± 0.20 .XX' ± 1.0'
.XXX' ± 0.10 .XXX' ± 0.5'

SIZE
紙張尺寸 A 4
REV.
版次 A

PART NAME 品名
3.7mm WAFER 2P MALE SMT TYPE
TIN PLATING REEL PACKING
IVORY COLOR ROHS

PART NO.
料號 W3700-02MDTRI0R