

PS-PE-3Xxx-LF

LEADFREE

RoHS Compliant

Specifications:

Current rating:5.0 AC/DC

Voltage rating:250V AC/DC

Contact resistance:20m ohm. max.

Insulator resistance:1000M ohm. Min.

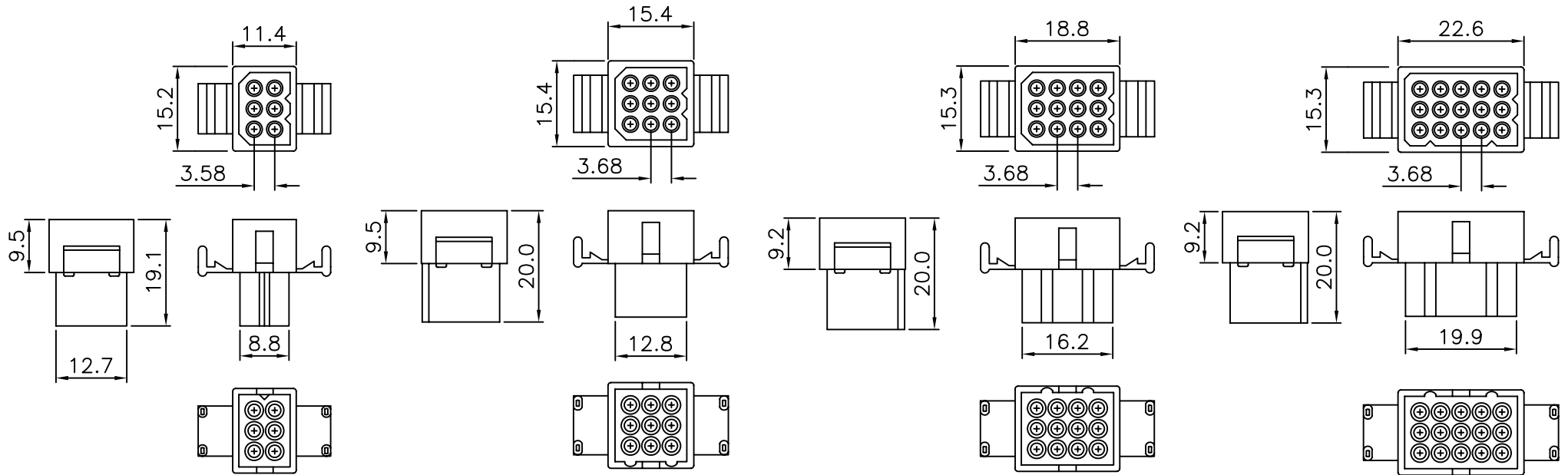
Withstanding voltage:1500V AC for one minute

Operating temperture range:-25°C to + 105°C

Application wire:AWG#26 TO #18

Material and Finish:

Insulator:high Temp. Plastic(UL94V-2)



PS-PE-3X02

PS-PE-3X03

PS-PE-3X04

PS-PE-3X05

PART NO. PS-PE-3Xxx		CHECKED BY CY		TOLERANCES ARE .X ± 0.2 .XX ± .XXX ± AWG	DESCRIPTION: Receptacle Housing Withoht Ear			
DWG NO. PS-PE-3Xxx		DRAWING BY			AREA	REVISIONS	HK	DATE
FILE NO.		PROJECTION						
UNIT / mm	SCALE 1:1							