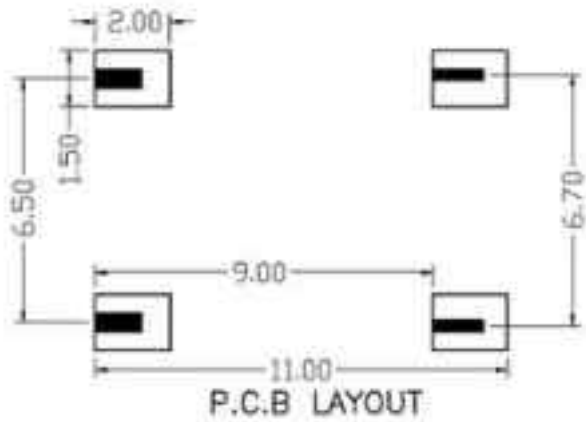


**NOTE:**

**1.SPECIFICATIONS:**

- Current rating:1A AC,DC
- Voltage rating:1300V AC,DC
- Contact Resistance:20m Ω max
- Insulation Resistance:1000M Ωin
- Withstanding Voltage:3800V AC/minute
- Temperature range:-25°C to +85°C



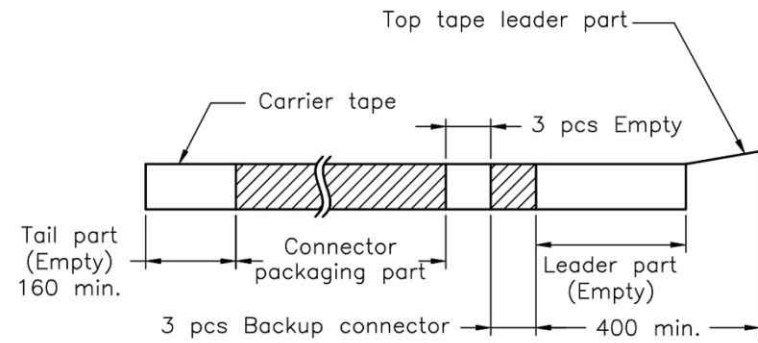
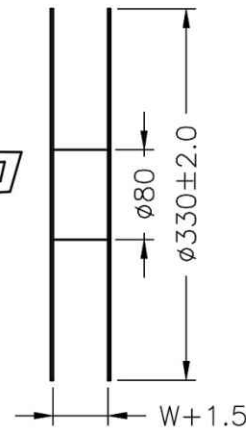
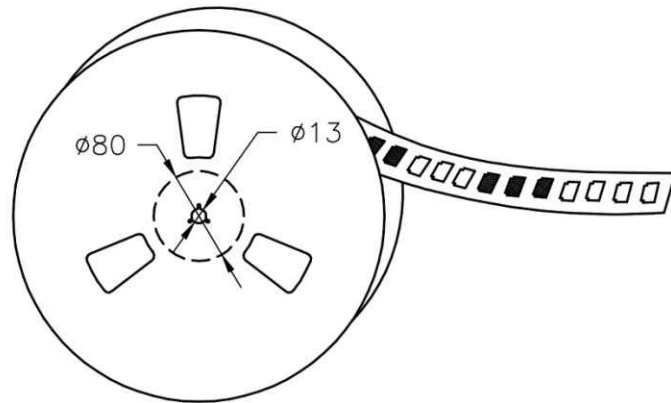
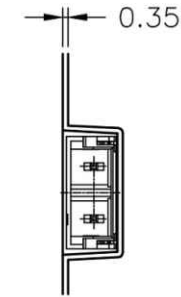
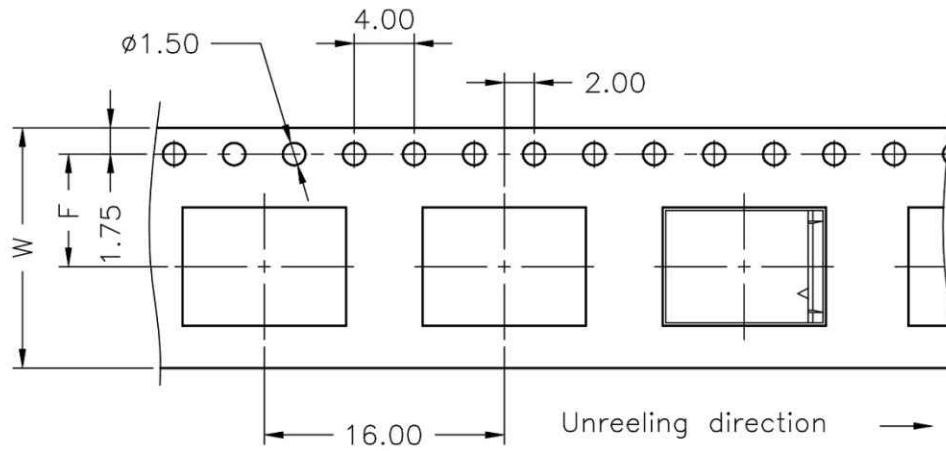
BHS-WR-02-LF  
LEADFREE  
RoHS Compliant

**All Connectors**

www.allconnectors.eu | info@allconnectors.eu  
Tel. +49 (0)711 / 358 110 20 | Fax +49 (0)711 / 358 110 25

PART NO. BHS-WR-02		CHECKED BY CY		TOLERANCES ARE		DESCRIP TION:				
DWG NO. BHS-WR-02		DRAWING BY		.X ± 0.2 .XX ± .XXX ± AWG						
FILE NO.		PROJECTION		AREA	REVISIONS	HK	DATE			
UNIT / mm	SCALE 1:1									

J  
I  
H  
G  
F  
E  
D  
C  
B  
A



Number of Contacts	W±0.3	F±0.1	Q'ty/Reel
02P	16	7.50	1,000

**Allconnectors**

www.allconnectors.eu | info@allconnectors.eu  
Tel. +49 (0)711 / 358 110 20 | Fax +49 (0)711 / 358 110 25

PART NO. BHS-WR-02

DWG NO. BHS-WR-02

FILE NO.

UNIT / mm

SCALE 1:1

CHECKED BY CY

DRAWING BY

PROJECTION

TOLERANCES ARE

.X ±  
.XX ±  
.XXX ±  
AWG

DESCRIPTION:

AREA

REVISIONS

HK

DATE