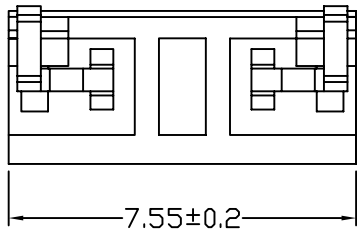


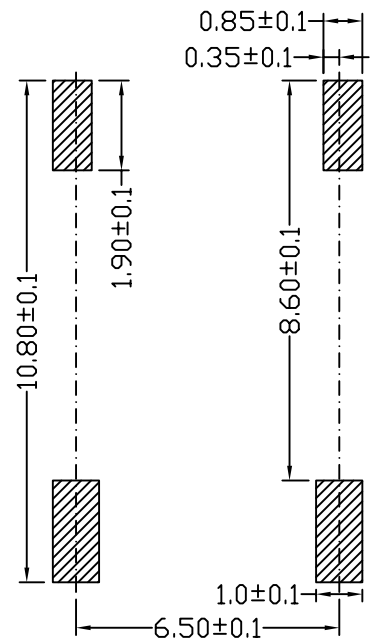
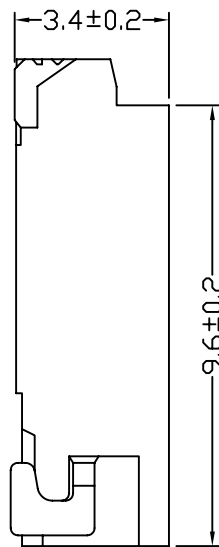
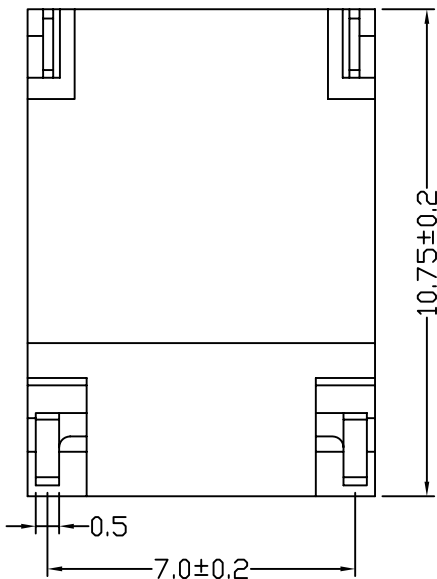
■ SPECIFICATIONS

- Voltage rating : 1,400V AC, DC
- Current rating : 1A AC,DC.
- Withstanding voltage : 3,800V AC/minute
- Insulation resistance : 1,000MΩ min.
- Temperature range : - 25°C to + 85°C
(Including temperature rise in applying lectrical current)
- Contact resistance : Initial value/10mΩ max.
- After environmental testing/20mΩ max.



■ WAFER

- Part No. : 3506-02
- Poles : 02
- Material : Contact : Phos. Bronze, Tin plated
- Base : Nylon PA46 UL94V-0



Recommand PCB Layout

Allconnectors

www.allconnectors.eu | info@allconnectors.eu
Tel. +49 (0)711 / 358 110 20 | Fax +49 (0)711 / 358 110 25

APPROVED BY	DATE	SCALE	TOLERANCE	
	2007/03/15	4:1	.0	±0.3
CHECKED BY	UNIT	VIEW	.00	±0.2
	mm		.000	±0.1
DRAWN BY	VER NO.	SIZE	ANGLE	
	D1	A4	.0	±
			.0	±

PART NO 3506-02

3.5mm Crimp Style connectors