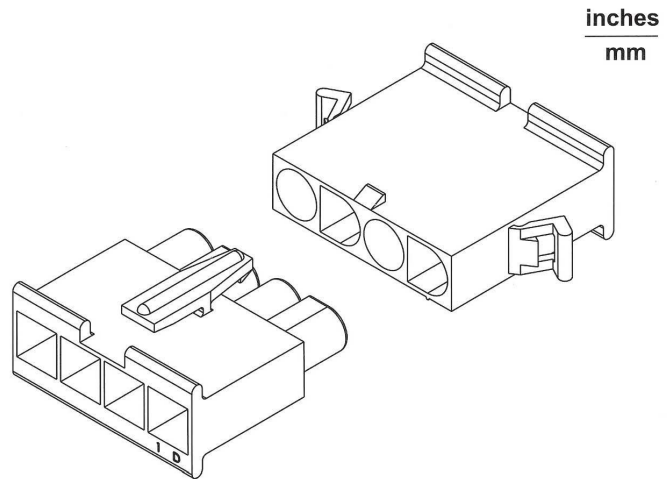


.125"(3.18mm) Diameter Pin and Socket

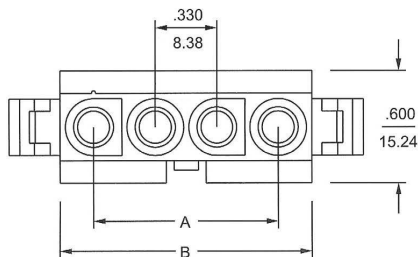
8892 Series Crimp Terminal Housing

- 1 ~ 4 circuits available
- Material: UL 94V-2
- Accepts 82T, 83T terminals
- Color: Nature

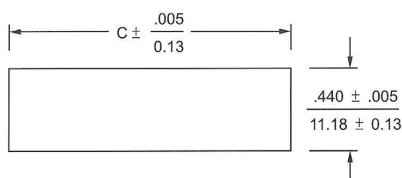
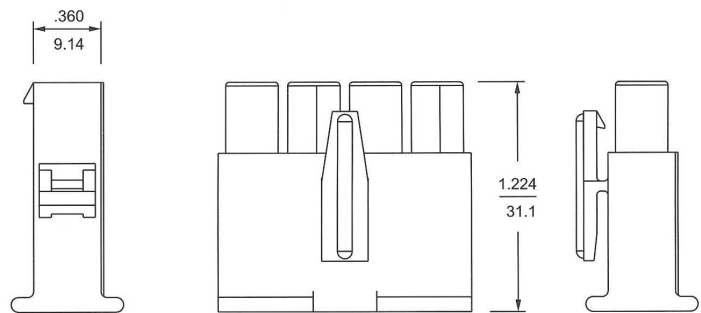
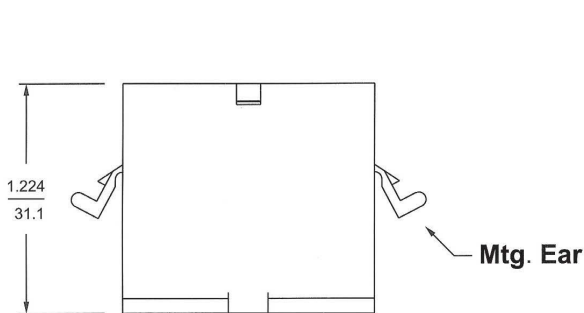
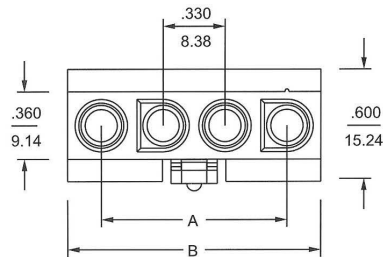


8892-xxF

8892-xxF1: Without Mtg Ears



8892-xxM1: Without Mtg Ears



Recommended hole cutout
Max. Panel Thickness: 2.29mm Max.

Dimensional Information - in (mm)

Circuits	Dim. A	Dim. B	Dim. C
1		0.360 (9.10)	0.521 (13.23)
2	0.330 (8.38)	0.690 (17.50)	0.851 (21.62)
3	0.660 (16.76)	1.020 (25.90)	1.181 (30.00)
4	0.990 (25.14)	1.350 (34.30)	1.511 (38.38)