

A2120 SERIES

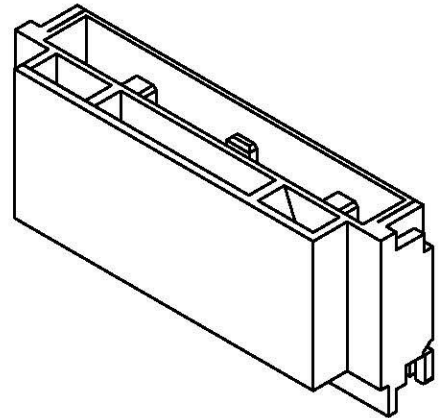
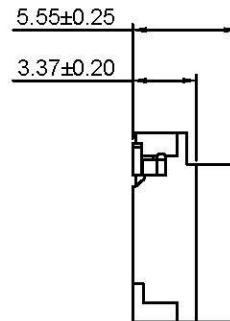
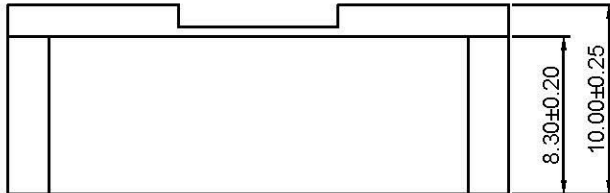
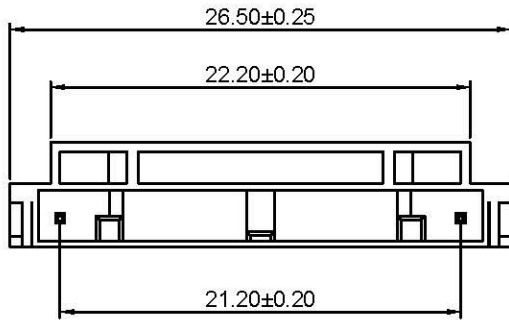
21.20mm pitch wire to board connector

A2120WR-S-2P

21.20mm Pitch 90° Wafer-SMT TYPE

Reference Informations:

- *Material: Pin: Brass/Tin over Nickel
Insulator: Nylon 9T, UL94V-0
- *Mates with A2120 series Housing
- *Color: Beige



Unit: mm