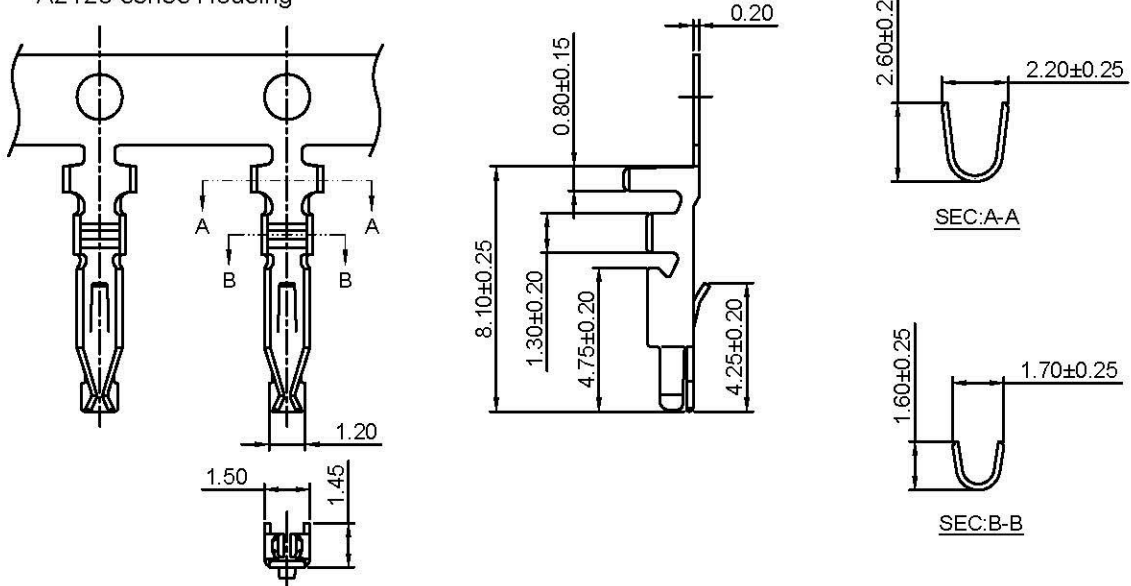


A2120-T

21.20mm pitch Crimp Terminal

Reference Informations:

*Used in A2120 series Housing



Ordering information & Specifications:

Unit:mm

Part NO	Wire Range	Insulation O.D.	Material	Finish	Qty/reel
A2120-TP	AWG#24-#28	1.60mm(max)	Phosphor Bronze	Tin over Nickel	10,000 PCS
A2120-GP	AWG#24-#28	1.60mm(max)	Phosphor Bronze	Gold over Nickel	10,000 PCS

Optional Gold plating available but MOQ requested

A2120H-2P

21.20mm pitch Housing

Reference Informations:

*Material:PBT+15%GF,UL94V-0

*Suitable A2120 series Terminal

*Color:White

