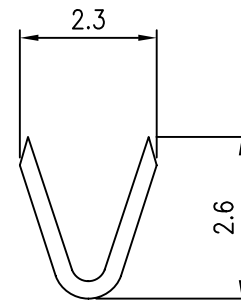
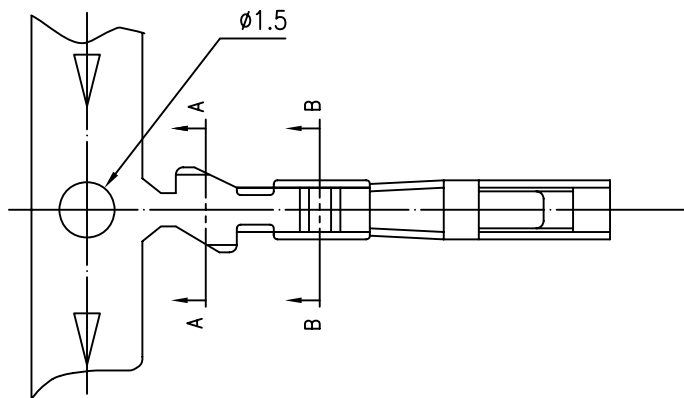
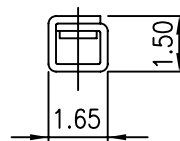
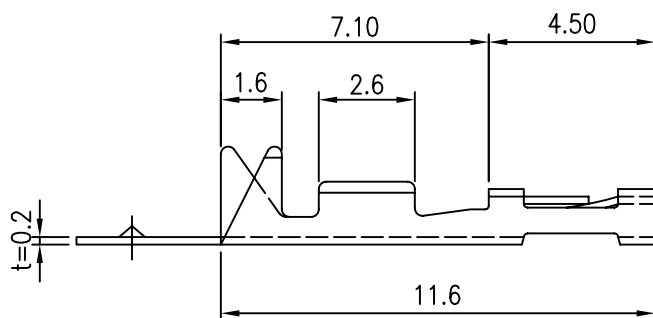


■ **TERMINAL**

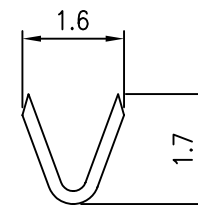
- Material: Brass
- Thickness: 0.2mm
- Plating: Tin plated 60u", Gold
- Wire Range: Suitable for AWG#22~28
- Insulation O.D: 1.7mm(max)
- Recommends this terminal be used in housing having few poles
- Q'TY: 10,000 pcs/roll



A-A SECTION



B-B SECTION



PV-Tx-22-LF
LEADFREE

RoHS Compliant

Ordering Information

Part No.	Wire Range	Insulation O.D.	Material	Finish	Q'ty/roll	Note
PV-TG-22	AWG #22~#28	1.7mm(max)	Brass	Gold Flash	10,000pcs	
PV-T-22	AWG #22~#28	1.7mm(max)	Brass	Tin-Plated	10,000pcs	

Allconnectors

www.allconnectors.eu | info@allconnectors.eu
Tel. +49 (0)711 / 358 110 20 | Fax +49 (0)711 / 358 110 25

PART NO. PV-Tx-22

DWG NO. PV-Tx-22

FILE NO.

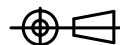
UNIT / mm

SCALE 1:1

APPROVED BY CY

DRAWING BY

PROJECTION



TOLERANCES ARE

.X
.XX
.XXX
AWG

DESCRIPTION:

2.54mm Pitch Terminal

AREA

REVISIONS

HK

DATE