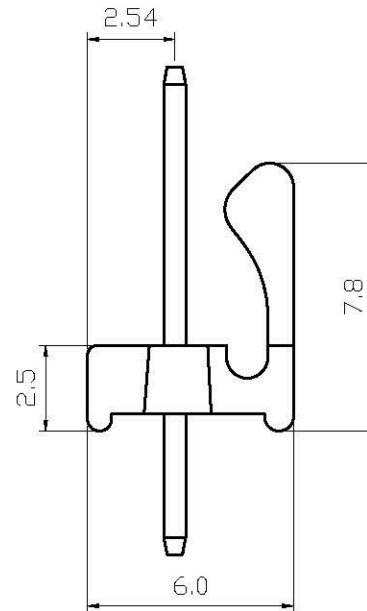
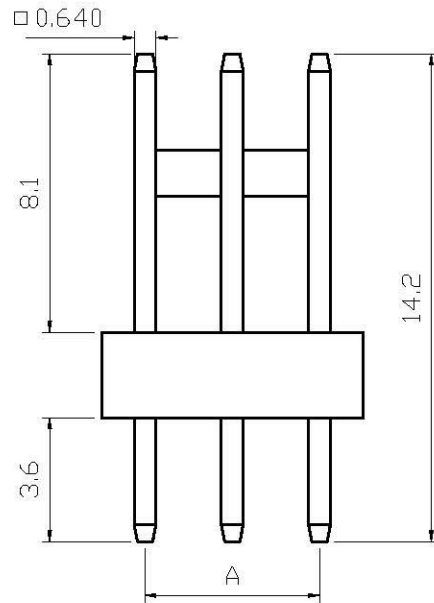
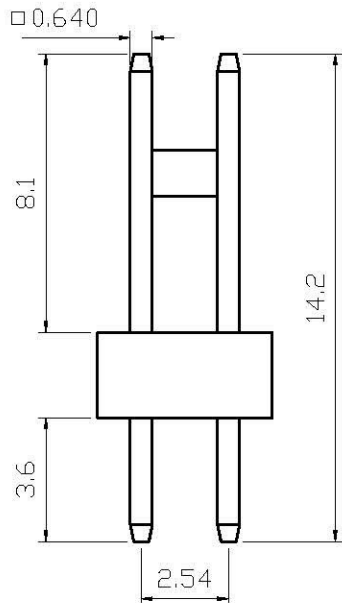


P.C.B. HOLE LAYOUT



Poles	Ordering code	Dimension	
		A	B
2	MT-D-02	2.54	5.08
3	MT-D-03	5.08	7.62
4	MT-D-04	7.62	10.16
5	MT-D-05	10.16	12.70
6	MT-D-06	12.70	15.24
7	MT-D-07	15.24	17.78
8	MT-D-08	17.78	20.32
9	MT-D-09	20.32	22.86
10	MT-D-10	22.86	25.40
11	MT-D-11	25.40	27.94
12	MT-D-12	27.94	30.48
13	MT-D-13	30.48	33.02
14	MT-D-14	33.02	35.56
15	MT-D-15	35.56	38.10
16	MT-D-16	38.10	40.64
17	MT-D-17	40.64	43.18
18	MT-D-18	43.18	45.72
19	MT-D-19	45.72	48.26
20	MT-D-20	48.26	50.80

WAFER

Material: Post: Brass, Tin/Plated
 Baer: Nylon 66, UL94-V0

SPECIFICATIONS

VOLTAGE RATING: 250V AC, DC
 CURRENT RATING: 3A, AC, DC
 WITHSTAND VOLTAGE: 1000V AC/MINUTE
 INSULATION RESISTANCE: 1000M OHM (MIN)
 TEMPERATURE RANGE: -25°C~+85°C
 APPLICATION PC BOARD THICKNESS: 1.6mm (.063")

MT-D-xx-LF
 LEADFREE
 02~20WAY
 RoHS Compliant

Allconnectors

www.allconnectors.de
 info@allconnectors.de
 70794 Fildeisriedt, Germany
 74630 Pflaum, Germany
 Kettnerstr. 25

PART NO. MT-D-xx

DWG NO. MT-D-xx

FILE NO.

UNIT / mm

SCALE 1:1

CHECKED BY CY

DRAWING BY

PROJECTION

TOLERANCES ARE

X ±
 .XX ±
 .XXX ±
 AWG

DESCRIPTION:

*Pitch 2.54mm Straight
 type P.C.B. Connector*

AREA

REVISIONS

HK

DATE