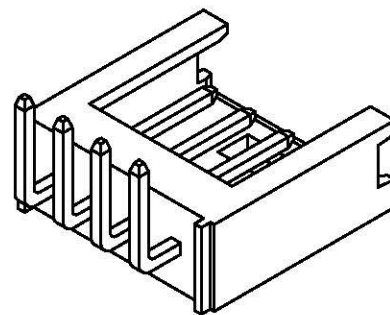
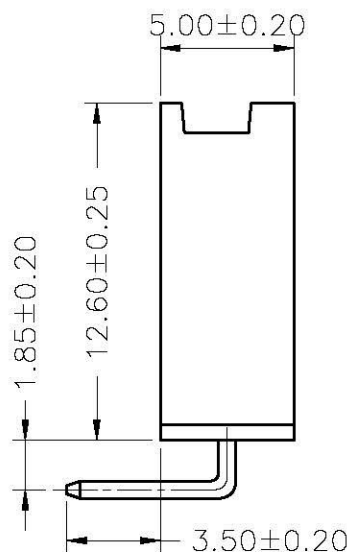
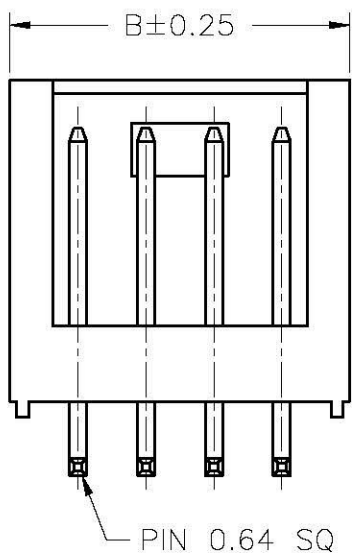


P.C.B LAYOUT



SPECIFICATIONS

Current Rating: 3A AC,DC
 Voltage Rating: 250V AC,DC
 Temperature Range: $-25^{\circ}\text{C} \sim +85^{\circ}\text{C}$
 Contact Resistance: 20m Ω Max
 Insulation Resistance: 1000M Ω Min
 Withstanding Voltage: 1000V AC/minute
 Pin Material: Brass/Tin-plated
 Material: PBT or Nylon 6T,UL94V-0

Ordering Information & Dimensions

PART NO.	Dimensions	
	A	B
MOD-R-1X02	2.54	7.70
MOD-R-1X04	7.62	12.70
MOD-R-1X06	12.70	17.80
MOD-R-1X08	17.78	22.90
MOD-R-1X09	20.32	25.40
MOD-R-1X10	22.86	28.00
MOD-R-1X12	27.94	33.10
MOD-R-1X15	35.56	40.70
MOD-R-1X22	53.34	58.50

RoHS Compliant

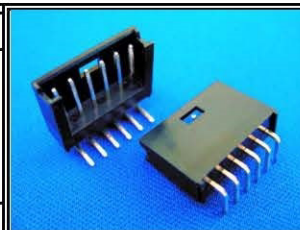
All Connectors

www.allconnectors.de info@allconnectors.de
 Tel.: 0049 711 7005503 Fax: 0049 711 7005504
 70754 Filzdenkstatt - Germany Kethenerstr. 25

DRAWING BY CY
 CHECKED BY GENIUS
 UNIT / mm SCALE 1 : 1
 DATE
 SIZE A4 PROJECTION

TOLERANCES ARE

X ±
 X ±
 .XX ±
 .XXX ±
 ANG ±



ORDER INFORMATION

MOD-R-1Xxx-LF
 SERIES | LEADFREE
 1X02:02WAY
 1X22:22WAY
 DIP 90°

DESCRIPTION: 2.54mm PITCH 90° WAFER