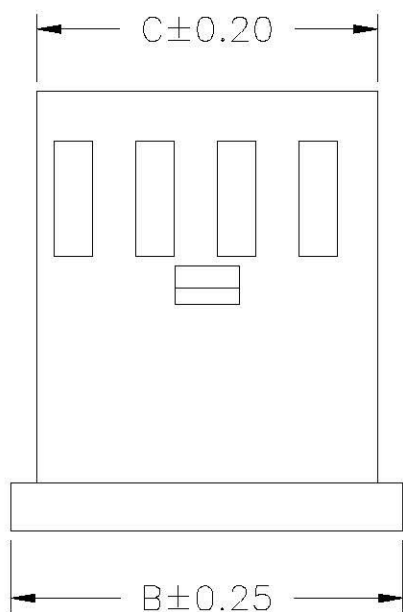
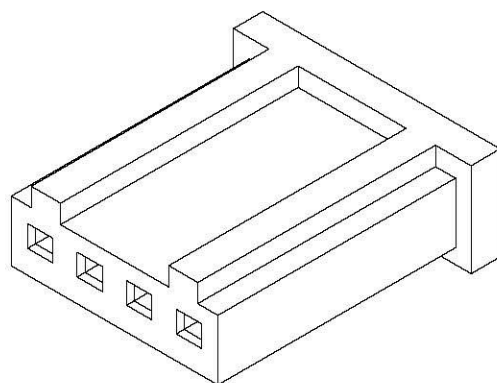
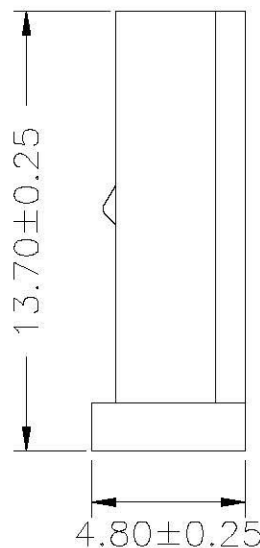


2.54 ± 0.10
 $A \pm 0.20$



$C \pm 0.20$

$B \pm 0.25$



13.70 ± 0.25

4.80 ± 0.25

SPECIFICATIONS

Current Rating: 3A AC,DC
 Voltage Rating: 250V AC,DC
 Temperature Range: $-25^{\circ}\text{C} \sim +85^{\circ}\text{C}$
 Contact Resistance: 20mΩ Max
 Insulation Resistance: 1000MΩ Min
 Withstanding Voltage: 1000V AC/minute
 Material: Nylon 66,UL94V-0

Ordering Information & Dimensions

PART NO.	Dimensions		
	A	B	C
MOD-H-1X02	2.54	7.10	5.60
MOD-H-1X04	7.62	12.20	10.60
MOD-H-1X06	12.70	17.30	15.70
MOD-H-1X08	17.78	22.30	20.80
MOD-H-1X09	20.32	24.90	23.30
MOD-H-1X10	22.86	27.40	25.90
MOD-H-1X12	27.94	32.50	31.00
MOD-H-1X15	35.56	40.10	38.60
MOD-H-1X22	53.34	57.90	56.40

RoHS Compliant

Allconnectors

www.allconnectors.de
 Tel.: 0049 711 7009503
 70794 Filberstadt - Germany

info@allconnectors.de
 Fax: 0049 711 7009504
 Kettenstr. 25

DRAWING BY CY
 CHECKED BY GENIUS
 UNIT / mm SCALE 1 : 1
 DATE
 SIZE A4 PROJECTION

TOLERANCES ARE
 X ±
 .X ±
 .XX ±
 .XXX ±
 ANG ±



ORDER INFORMATION

MOD-H-1Xxx-LF
 SERIES | LEADFREE
 1X02:02WAY
 1X22:22WAY
 HOUSING

DESCRIPTION: 2.54mm PITCH HOUSING