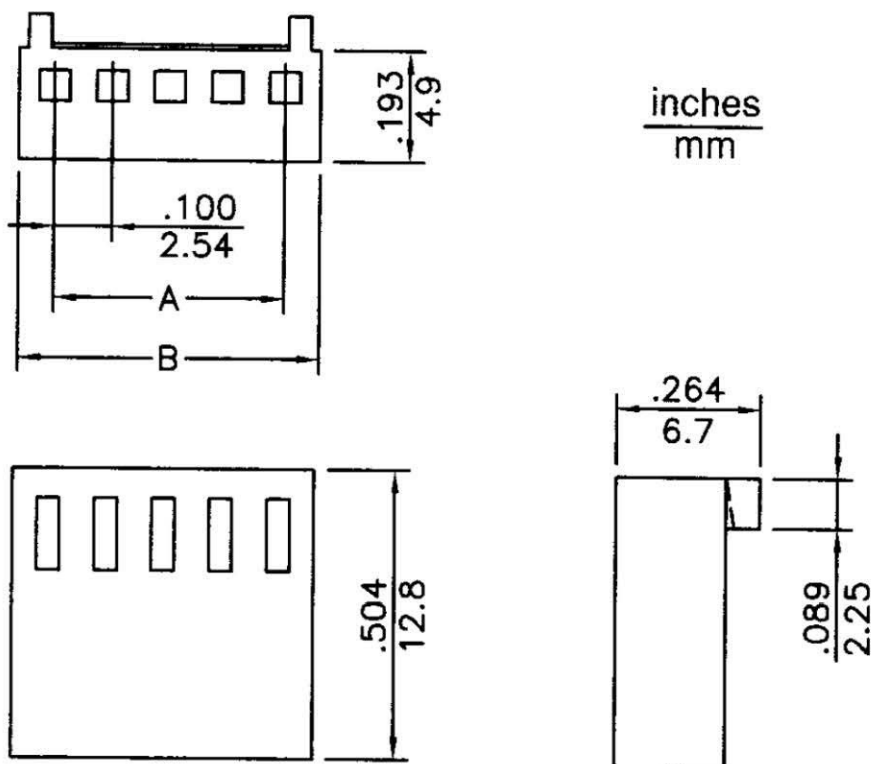


## Specifications

- \* Current rating: 3A AC, DC
- \* Voltage rating: 250V AC, DC
- \* Temperature range: -25°C~+85°C
- \* Insulation resistance: 1,000MΩ min.
- \* Withstand voltage: 1,000V AC/minute

- \* Poles:2-20
- \* Material:NYLON 66 UL 94V-2  
Color: WHITE



CIRCUITS	DIMENSION in.(mm)	
	A	B
2	0.100(2.54)	0.222(5.65)
3	0.200(5.08)	0.322(8.19)
4	0.300(7.62)	0.422(10.73)
5	0.400(10.16)	0.522(13.27)
6	0.500(12.70)	0.622(15.81)
7	0.600(15.24)	0.722(18.32)
8	0.700(17.78)	0.822(20.89)
9	0.800(20.32)	0.922(23.43)
10	0.900(22.86)	1.022(25.97)
11	1.000(25.40)	1.122(28.51)
12	1.100(27.94)	1.222(31.05)
13	1.200(30.48)	1.322(33.59)
14	1.300(33.02)	1.422(36.13)
15	1.400(35.56)	1.522(38.67)
16	1.500(38.10)	1.622(41.21)
17	1.600(40.64)	1.722(43.75)
18	1.700(43.18)	1.800(46.29)
19	1.800(45.72)	1.922(48.83)
20	1.900(48.26)	2.022(51.37)

RoHS Compliant

TOLERANCES ARE

**All Connectors**

DRAWING BY CY

X ±

CHECKED BY GENIUS

X ±

UNIT / mm

SCALE 1:1

.XX ±

DATE

.XXX ±

ANG ±

SIZE A4

PJECTION



ORDER INFORMATION

MKL-HWH-xx-LF  
 SERIES | LEADFREE  
 | 02-20 WAY  
 | WHITE  
 HOUSING

DESCRIPTION:

www.allconnectors.de

info@allconnectors.de

Tel: 0049 711 7009508

Fax: 0049 711 3009504

AU 751 Filderstadt - Germany

gette@meisstr.23