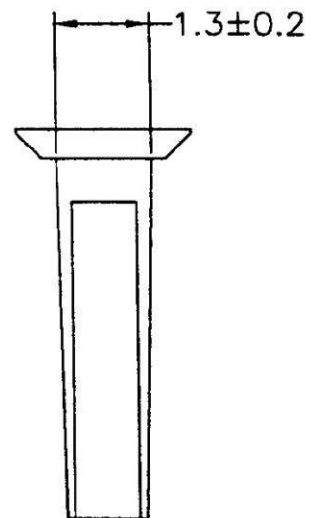
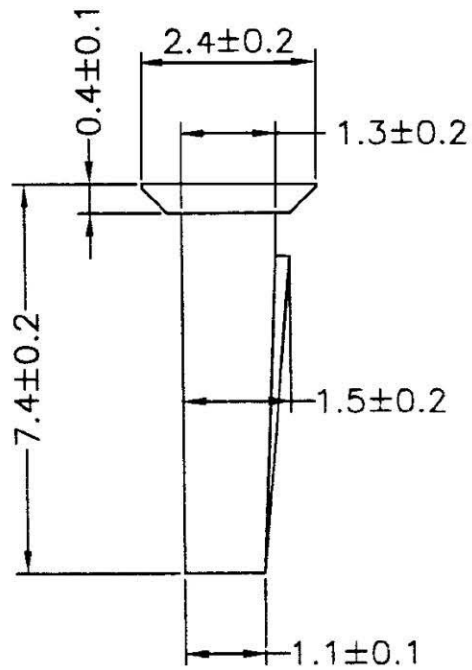
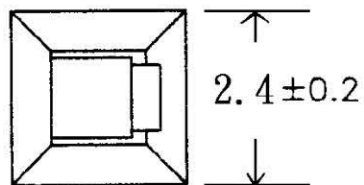


1 2 3 4 5 6 7 8 9 0

J
I
H
G
F
E
D
C
B
A



MK-K-01-LF
LEADFREE
RoHS Compliant



Material:NYLON66 UL 94V-2

All Connectors

www.allconnectors.de info@allconnectors.de
Tel: +49 431 708644 Fax: +49 431 708645
All-Connect GmbH
Waldstraße 10 · 22389 Hamburg · Germany

PART NO. MK-K-01

DWG NO. MK-K-01

CHECKED BY CY

TOLERANCES ARE

DESCRIPTION:

FILE NO.

DRAWING BY

.X ± 0.2
.XX ± 0.1
.XXX ±
AWG

AREA REVISIONS HK DATE

UNIT / mm

SCALE 1:1

PROJECTION

AREA REVISIONS HK DATE