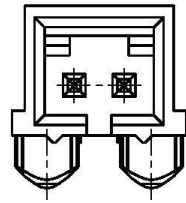
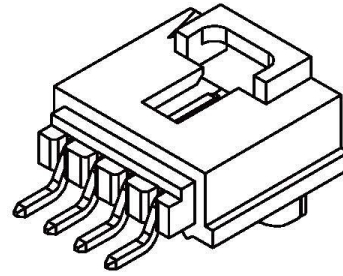


03P

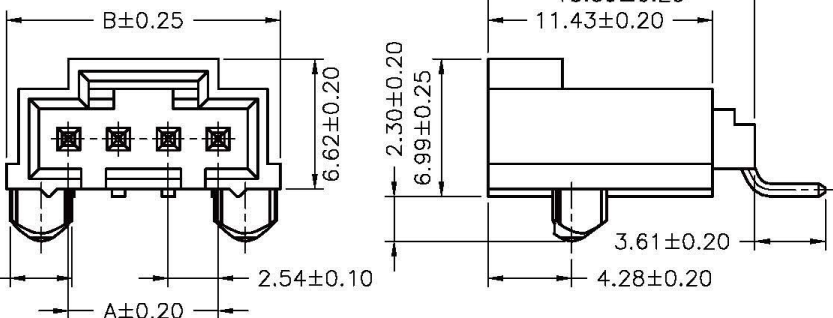
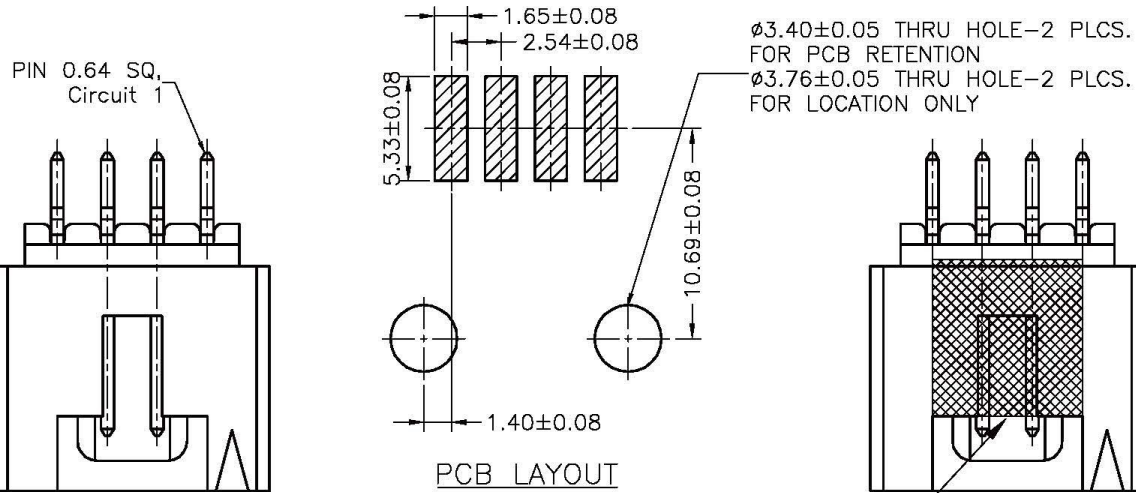


02P



SPECIFICATIONS

Current Rating: 3A AC,DC
 Voltage Rating: 250V AC,DC
 Temperature Range: -25°C ~ +85°C
 Contact Resistance: 20mΩ Max
 Insulation Resistance: 1000MΩ Min
 Withstanding Voltage: 1500V AC/minute
 Pin Material: Brass/Gold-flash
 Material: Nylon 6T,UL94V-0
 Color: Natural(Black)



Ordering Information & Dimensions

PART NO.	Dimensions	
	A	B
MCG-WPC-1X02	2.54	8.89
MCG-WPC-1X03	5.08	11.43
MCG-WPC-1X04	7.62	13.97
MCG-WPC-1X05	10.16	16.51
MCG-WPC-1X06	12.70	19.05
MCG-WPC-1X07	15.24	21.59
MCG-WPC-1X08	17.78	24.13
MCG-WPC-1X09	20.32	26.67
MCG-WPC-1X10	22.86	29.21
MCG-WPC-1X11	25.40	31.75
MCG-WPC-1X12	27.94	34.29

KAPTON TAPE
(FOR PICK AND PLACE SYSTEMS)

All Connectors
 www.allconnectors.de
 Tel.: 0049 711 7009503
 70794 Filderstadt - Germany

info@allconnectors.de
 Fax: 0049 711 7009504
 Kettnerstr. 25

RoHS Compliant

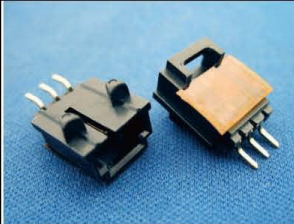
DRAWING BY CY
 CHECKED BY GENIUS

UNIT/ mm SCALE 1:1

DATE

SIZE A4 PROJECTION

TOLERANCES ARE
 X ±
 .X ±
 .XX ±
 .XXX ±
 ANG ±



ORDER INFORMATION

MCG-WPC-1Xxx-LF

SERIES: MCG-WPC-1Xxx-LF
 MYLAR POST 90° SMT
 1X02:02WAY LEADFREE
 1X12:12WAY

DESCRIPTION: