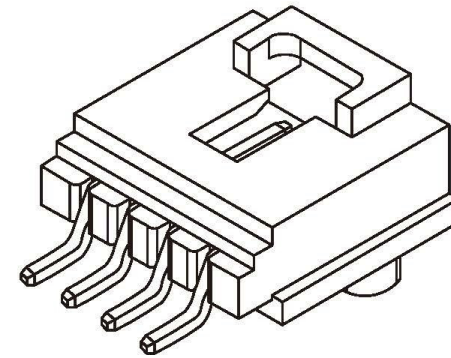


PCB LAYOUT

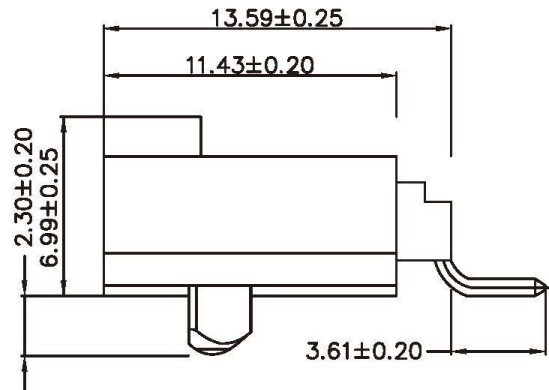
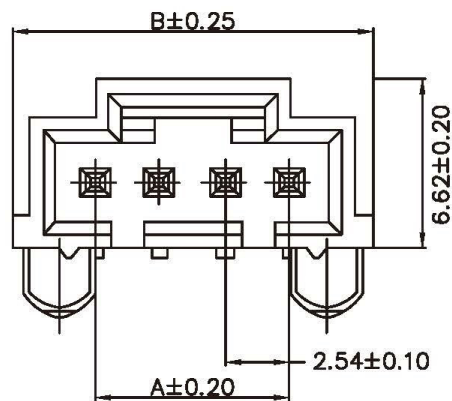


SPECIFICATIONS

Current Rating: 2.5 AC,DC
 Voltage Rating: 250V AC,DC
 Temperature Range: -25°C ~ + 85°C
 Contact Resistance: 20m ohm Max
 Insulation Resistance: 1000M OHM Min
 Withstanding Voltage: 1000V AC/minute
 Pin Material: Brass / Gold-plated
 Material: Nylon 6T, UL94V-0

Ordering Information & Dimensions

PART NO.	Dimensions	
	A	B
MCG-WP-1X02	2.54	8.89
MCG-WP-1X03	5.08	11.43
MCG-WP-1X04	7.62	13.97
MCG-WP-1X05	10.16	16.51
MCG-WP-1X06	12.70	19.05
MCG-WP-1X07	15.24	21.59
MCG-WP-1X08	17.78	24.13
MCG-WP-1X09	20.32	26.67
MCG-WP-1X10	22.86	29.21
MCG-WP-1X11	25.40	31.75
MCG-WP-1X12	27.94	34.29



All Connectors

www.allconnectors.de info@allconnectors.de
 Tel.: 0049 711 7009503 Fax: 0049 711 7009504
 70794 Filderstadt - Germany Kettnerstr. 25

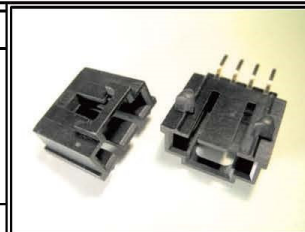
RoHS Compliant

DRAWING BY CY
 CHECKED BY GENIUS
 UNIT / mm SCALE 1 : 1
 DATE
 SIZE A4

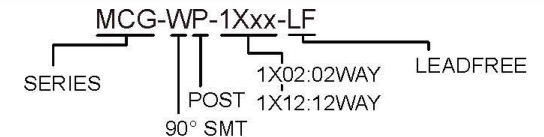
TOLERANCES ARE

X ±
 X ±
 .XX ±
 .XXX ±
 ANG ±

PJECTION



ORDER INFORMATION



DESCRIPTION: