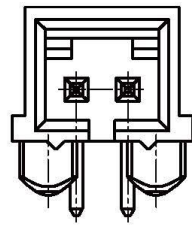
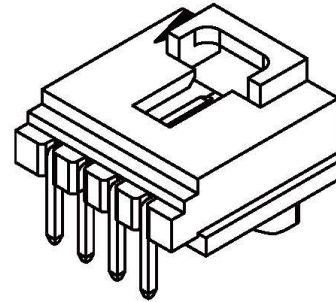


3P

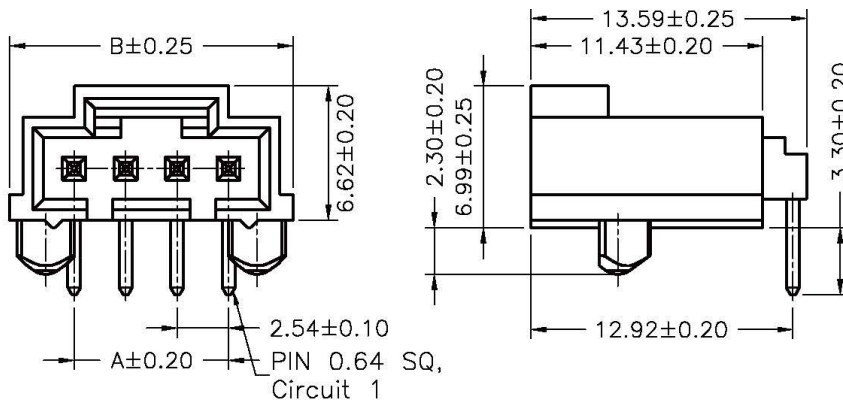
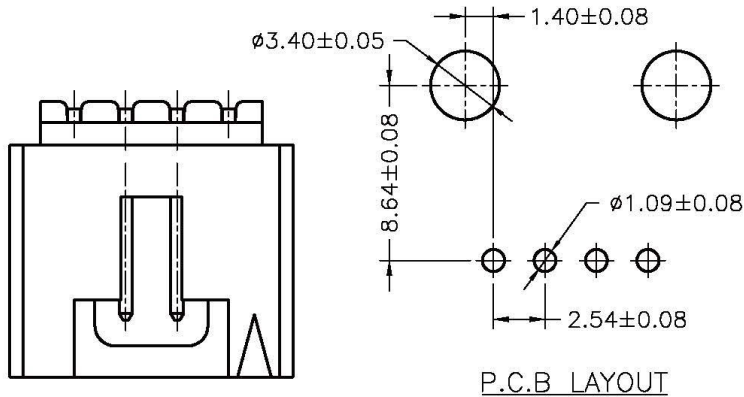


2P



**SPECIFICATIONS**

Current Rating: 3A AC,DC  
 Voltage Rating: 250V AC,DC  
 Temperature Range: -25°C ~ +85°C  
 Contact Resistance: 20mΩ Max  
 Insulation Resistance: 1000MΩ Min  
 Withstanding Voltage: 1500V AC/minute  
 Pin Material: Brass/Gold-flash  
 Material: PBT30%GF,UL94V-0  
 Color: Natural(Black)



**Ordering Information & Dimensions**

| PART NO.    | Dimensions |       |
|-------------|------------|-------|
|             | A          | B     |
| MCG-RP-1X02 | 2.54       | 8.89  |
| MCG-RP-1X03 | 5.08       | 11.43 |
| MCG-RP-1X04 | 7.62       | 13.97 |
| MCG-RP-1X05 | 10.16      | 16.51 |
| MCG-RP-1X06 | 12.70      | 19.05 |
| MCG-RP-1X07 | 15.24      | 21.59 |
| MCG-RP-1X08 | 17.78      | 24.13 |
| MCG-RP-1X09 | 20.32      | 26.67 |
| MCG-RP-1X10 | 22.86      | 29.21 |
| MCG-RP-1X11 | 25.40      | 31.75 |
| MCG-RP-1X12 | 27.94      | 34.29 |

**All Connectors**

www.allconnectors.de info@allconnectors.de  
 Tel.: 0049 711 7009503 Fax: 0049 711 7009504  
 70794 Filderstadt - Germany Kettnerstr. 25

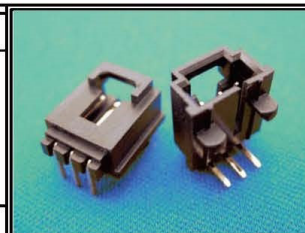
**RoHS Compliant**

DRAWING BY CY  
 CHECKED BY GENIUS  
 UNIT / mm SCALE 1 : 1  
 DATE  
 SIZE A4

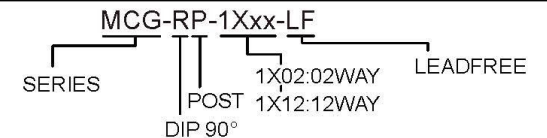
TOLERANCES ARE

X ±  
 X ±  
 .XX ±  
 .XXX ±  
 ANG ±

P PROJECTION



**ORDER INFORMATION**



DESCRIPTION: 2.54mm PITCH 90° WAFER