

Connector

Wire To Board Connectors

KLS1-TE-2.54 (2.54mm Pitch Wire To Board Connector)

Electrical Characteristics:

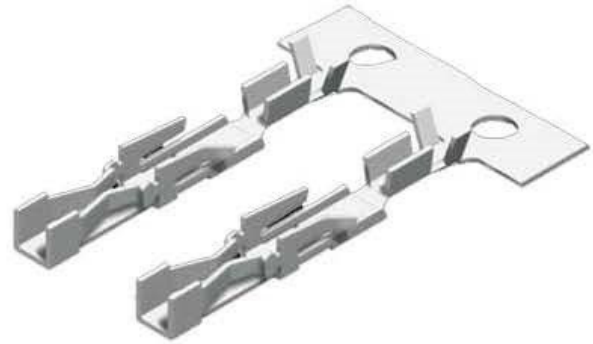
Current Rating: 3A
 Voltage Rating: 250V AC DC
 Insulator Resistance: 1000MΩ Min.
 Contact Resistance: 20mΩ Max.
 Withstanding Voltage: AC 1000V for 1 Minute
 Operating Temperature: -25°C~+85°C

Material:

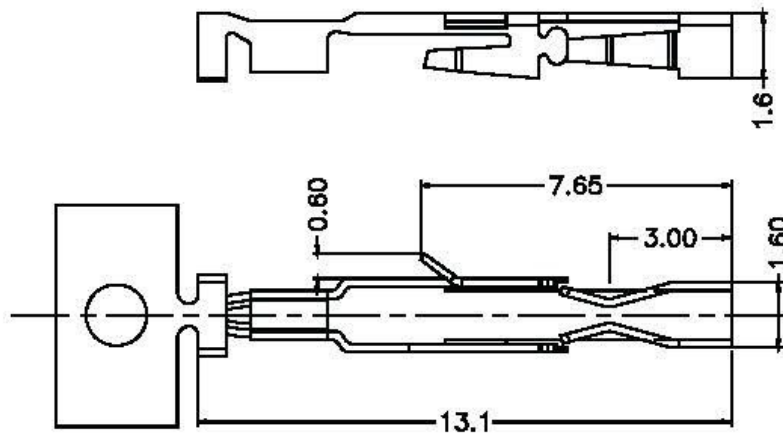
Insulator: P.B.T UL94V-0
 Contacts: Brass / Tin Plated

Wire Range: #22-#28

Insulation O.D.: 1.50mm(Max)



Terminal



ORDER INFORMATION

Product NO.: KLS1-TE-2.54-T

Pos. NO.

Pitch 2.54mm

Type: H=Housing T=Terminal
 S=Straight Type R=Right Type