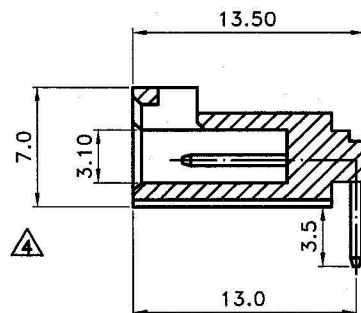
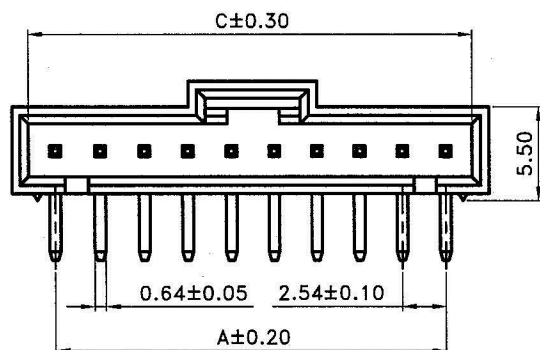
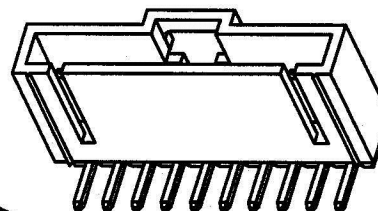
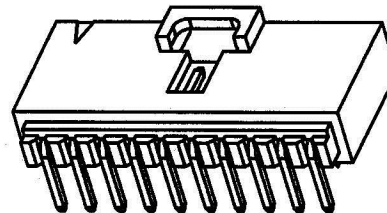
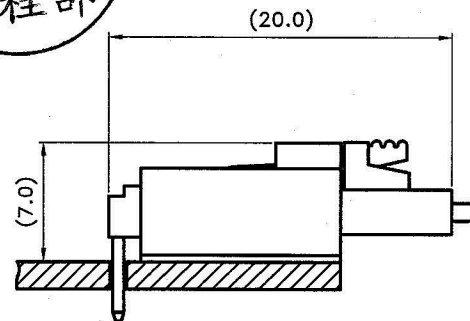


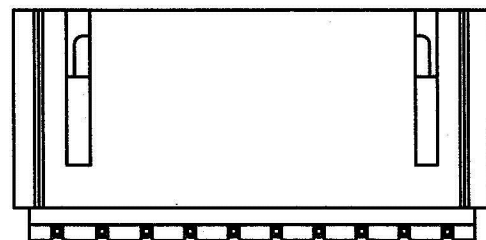
Recommended PCB Layout (Top View)



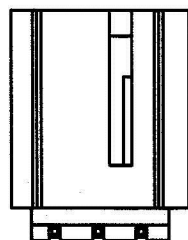
出圖
100.5.26
工程部



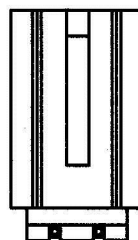
Assembled on the PCB



4~18 Circuit



3 Circuit



2 Circuit

■ SPECIFICATIONS

- Current Rating : 3A AC/DC
- Withstanding Voltage : 1,000V AC/minute
- Insulation Resistance : 1,000MΩ min.
- Temperature Range : - 25°C to + 85°C
- Contact Resistance : 20mΩ max.

■ WAFER

- Part No. : JS-1143R-XX(XX)

Material

Blank : PBT UL94V-0

9T : PA 9T UL94V-0

- Poles : 02~18
- Material :
 1. Contact : Brass, Gold Plated
 2. Base : Refer the above options
- Q' ty : 1,000 pcs./Bag

| Poles | Dimensions(mm) | | |
|-------|----------------|-------|-------|
| | A | B | C |
| 2 | 2.54 | 7.62 | 5.66 |
| 3 | 5.08 | 10.16 | 8.20 |
| 4 | 7.62 | 12.70 | 10.74 |
| 5 | 10.16 | 15.24 | 13.28 |
| 6 | 12.70 | 17.78 | 15.82 |
| 7 | 15.24 | 20.32 | 18.36 |
| 8 | 17.78 | 22.86 | 20.90 |
| 9 | 20.32 | 25.40 | 23.44 |
| 10 | 22.86 | 27.94 | 25.98 |
| 11 | 25.40 | 30.48 | 28.52 |
| 12 | 27.94 | 33.02 | 31.06 |
| 13 | 30.48 | 35.56 | 33.60 |
| 14 | 33.02 | 38.10 | 36.14 |
| 15 | 35.56 | 40.64 | 38.68 |
| 16 | 38.10 | 43.18 | 41.22 |
| 17 | 40.64 | 45.72 | 43.76 |
| 18 | 43.18 | 48.26 | 46.30 |

All Connectors

www.allconnectors.de
Tel.: 0049 711 7009503
70794 Filderstadt - Germany

info@allconnectors.de
Fax: 0049 711 7009504
Kettnerstr. 25

| APPROVED BY | SCALE | UNIT | TOLERANCE | LTR | REVISION RECORD | NAME | DATE | LTR | REVISION RECORD | NAME | DATE |
|-------------|------------|---------|------------|-----|---|------|----------|-----|----------------------------------|------|------|
| 張育瑞 | | mm | .0 ±0.30 | △ | 2P & 3P 規格與美規數據線有差異，將其調整在同一張圖面 | 黃科源 | 07/05/28 | △ | | | |
| CHECKED BY | PROJ | VER NO. | .00 ±0.20 | △ | 修改尺寸對照表錯誤 | 黃科源 | 08/03/20 | △ | | | |
| 黃科源 | ⊕ ⊖ | a6 | .000 ±0.10 | △ | 修改 PCB Layout 孔徑為 1.02mm | 黃科源 | 08/09/10 | △ | | | |
| DRAWN BY | DATE | SIZE | ANGLE | | 產品高度 6.8mm 修改為 7.0mm & Layout 孔為 1.02mm | 王誠賢 | 10/06/10 | | CUSTOMER | | |
| 王誠賢 | 2011/05/16 | A4 | 0° ±1° | △ | 修改物性表內容、B & C 尺寸標註位置及合併圖面 | 王誠賢 | 11/05/17 | | Conforms to The RoHS Instruction | | |
| | | | .0° ± | △ | | | | | | | |
| | | | SHEET | 1/1 | | | | | | | |

PART NO JS-1143R-XX
2.54mm Series Wire to Board Connector, Right-Angle Type