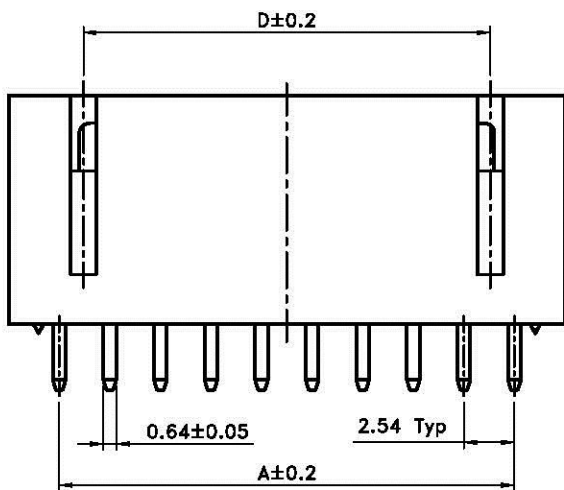
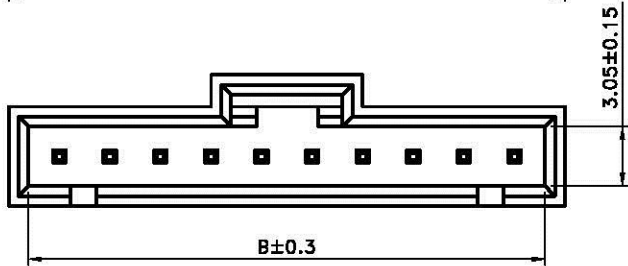
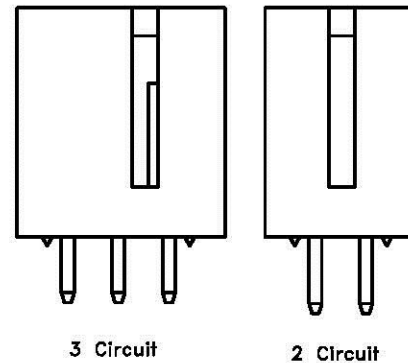
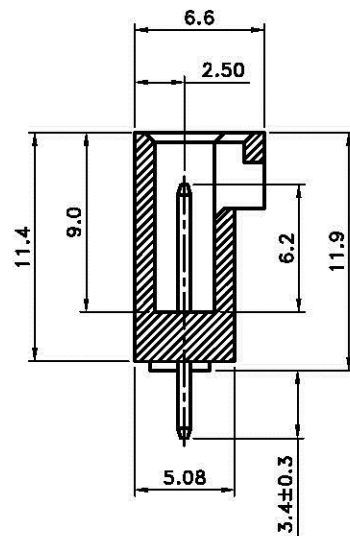


Recommended PCB Layout(Top View)



4~18 Circuit



### ■ SPECIFICATIONS

- Voltage Rating : 250 V AC/DC
- Current Rating : 3A AC/DC
- Withstanding Voltage : 1,000V AC/minute
- Insulation Resistance : 1,000M $\Omega$  min
- Temperature Range : - 25 $^{\circ}$ C to + 85 $^{\circ}$ C
- Contact Resistance : 20m $\Omega$  max

### ■ WAFER

- Part No. : JS-1143-XX
- Poles : 2 - 18(Straight)
- Material : Contact : Brass, Gold Plated  
Base : PBT UL94V-0
- Q' ty : 1,000 pcs./Bag

Poles	Part No.	Dimensions(mm)			
		A	B	C	D
2	JS-1143-02	2.54	5.60	7.62	—
3	JS-1143-03	5.08	8.14	10.16	—
4	JS-1143-04	7.62	10.68	12.70	5.08
5	JS-1143-05	10.16	13.22	15.24	7.62
6	JS-1143-06	12.70	15.76	17.78	10.16
7	JS-1143-07	15.24	18.30	20.32	12.70
8	JS-1143-08	17.78	20.84	22.86	15.24
9	JS-1143-09	20.32	23.38	25.40	17.78
10	JS-1143-10	22.86	25.92	27.94	20.32
11	JS-1143-11	25.40	28.46	30.48	22.86
12	JS-1143-12	27.94	31.00	33.02	25.40
13	JS-1143-13	30.48	33.54	35.56	27.94
14	JS-1143-14	33.02	36.08	38.10	30.48
15	JS-1143-15	35.56	38.62	40.64	33.02
16	JS-1143-16	38.10	41.16	43.18	35.56
17	JS-1143-17	40.64	43.70	45.72	38.10
18	JS-1143-18	43.18	46.24	48.26	40.64

**Allconnectors**

www.allconnectors.de  
Tel.: 0049 711 7009503  
70794 Filderstadt - Germany

info@allconnectors.de  
Fax: 0049 711 7009504  
Kettenerstr. 25

**PART NO JS-1143-XX**

**2.54mm Crimp Style Connectors Wafer**

APPROVED BY	SCALE	UNIT	TOLERANCE	LTR	REVISION RECORD	DATE	LTR	REVISION RECORD	DATE
林宗	1:1	mm	.0 ±0.3	ECR	RoHS compliant	07/01/03			
CHECKED BY	PROJ	VER NO.	.00 ±0.2	ECR	200705-018	07/05/28			
			.000 ±0.1	ECR	200803-022	08/03/20			
			ALL ±	ECR	200809-009	08/09/10			
DRAWN BY	DATE	SIZE	ANGLE				CUSTOMER		
黄科源	2008/09/10	A4	0° ±				Conforms to The RoHS Instruction		
			.0° ±						