

A2547 SERIES

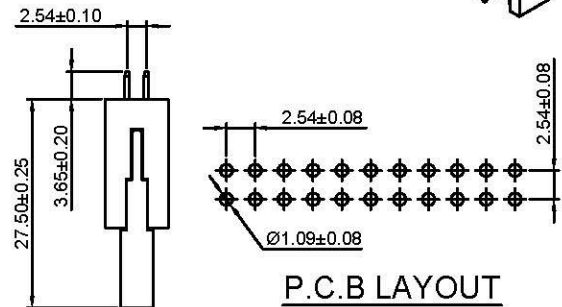
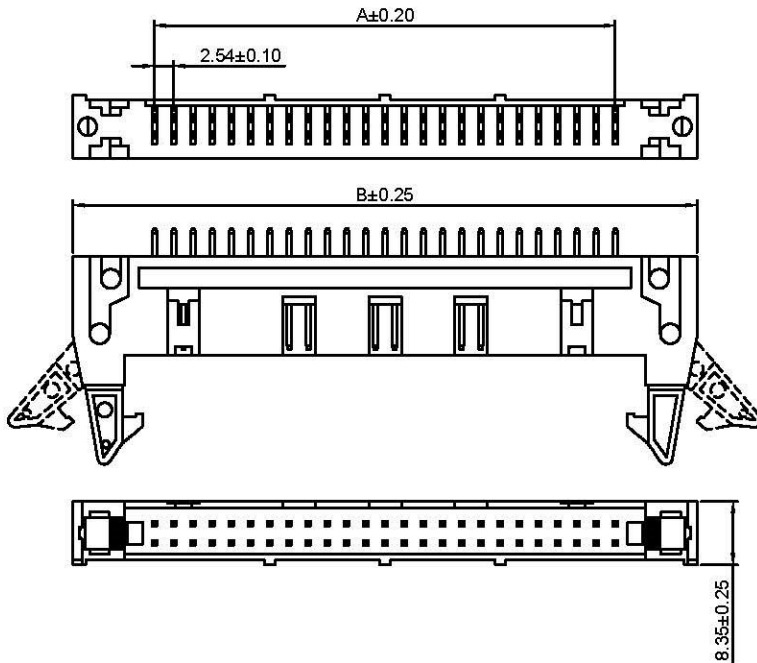
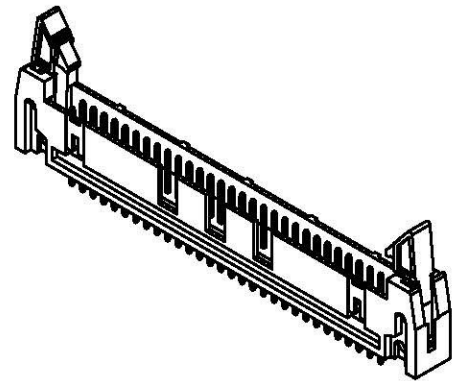
2.54mm pitch wire to board connector

A2547WVA-2

2.54mm Pitch 180° Box Header

Reference Informations:

- *Material: Pin: Brass/Gold over Nickel
Insulator: PBT30%GF, UL94V-0
- *Mates with A2547HD series Housing
- *Color: Black



Ordering Information & Dimensions:

PART NO.	Dimensions	
	A	B
A2547WVA-2x25P	60.96	82.80
A2547WVA-2x30P	73.66	95.50
A2547WVA-2x32P	78.74	100.58

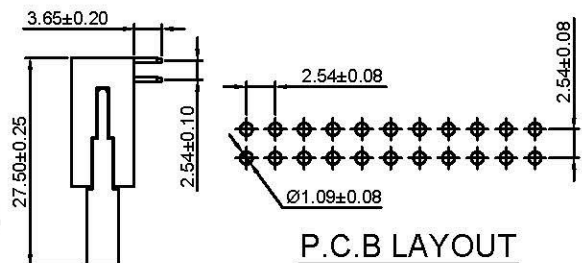
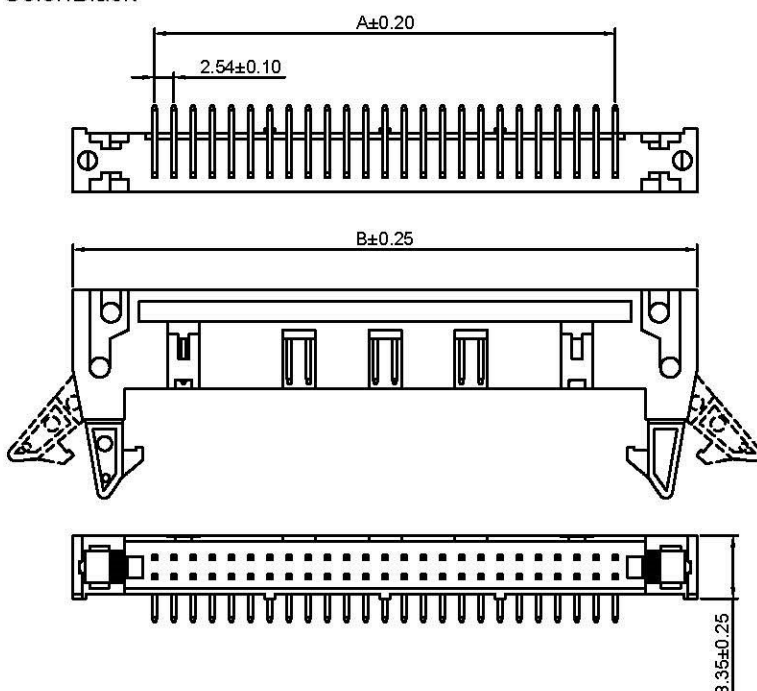
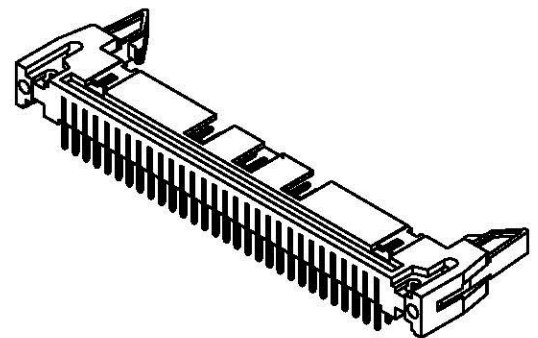
Unit: mm

A2547WRA-2

2.54mm Pitch 90° Box Header

Reference Informations:

- *Material: Pin: Brass/Gold over Nickel
Insulator: PBT30%GF, UL94V-0
- *Mates with A2547HD series Housing
- *Color: Black



Ordering Information & Dimensions:

PART NO.	Dimensions	
	A	B
A2547WRA-2x25P	60.96	82.80
A2547WRA-2x30P	73.66	95.50
A2547WRA-2x32P	78.74	100.58

Unit: mm