

A2547 SERIES

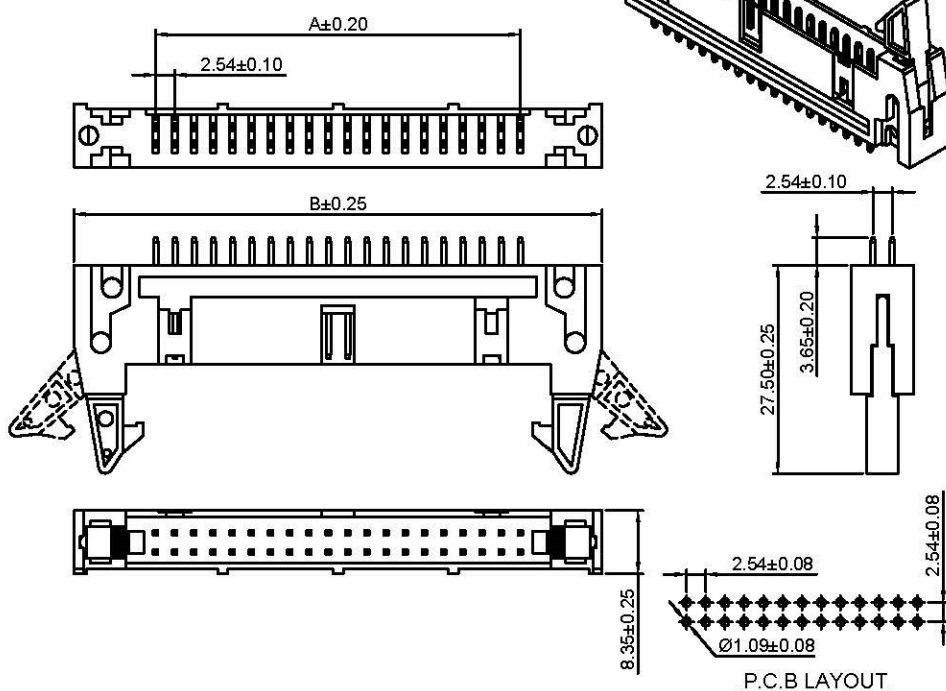
2.54mm pitch wire to board connector

A2547WW-2

2.54mm Pitch 180° Box Header

Reference Informations:

- *Material: Pin: Brass/Gold over Nickel
Insulator: PBT30%GF, UL94V-0
- *Mates with A2547 series Dual row Housing
- *Color: Black



Ordering Information & Dimensions:

PART NO.	Dimensions	
	A	B
A2547WW-2x5P	10.16	32.00
A2547WW-2x6P	12.70	34.54
A2547WW-2x7P	15.24	37.08
A2547WW-2x8P	17.78	39.62
A2547WW-2x9P	20.32	42.16
A2547WW-2x10P	22.86	44.70
A2547WW-2x11P	25.40	47.24
A2547WW-2x12P	27.94	49.78
A2547WW-2x13P	30.48	52.32
A2547WW-2x14P	33.02	54.86
A2547WW-2x15P	35.56	57.40
A2547WW-2x16P	38.10	59.94
A2547WW-2x17P	40.64	62.48
A2547WW-2x18P	43.18	65.02
A2547WW-2x19P	45.72	67.56
A2547WW-2x20P	48.26	70.10
A2547WW-2x21P	50.80	72.64
A2547WW-2x22P	53.34	75.18
A2547WW-2x23P	55.88	77.72
A2547WW-2x24P	58.42	80.26
A2547WW-2x25P	60.96	82.80
A2547WW-2x26P	63.50	85.34
A2547WW-2x27P	66.04	87.88
A2547WW-2x28P	68.58	90.42
A2547WW-2x29P	71.12	92.96
A2547WW-2x30P	73.66	95.50
A2547WW-2x31P	76.20	98.04
A2547WW-2x32P	78.74	100.58

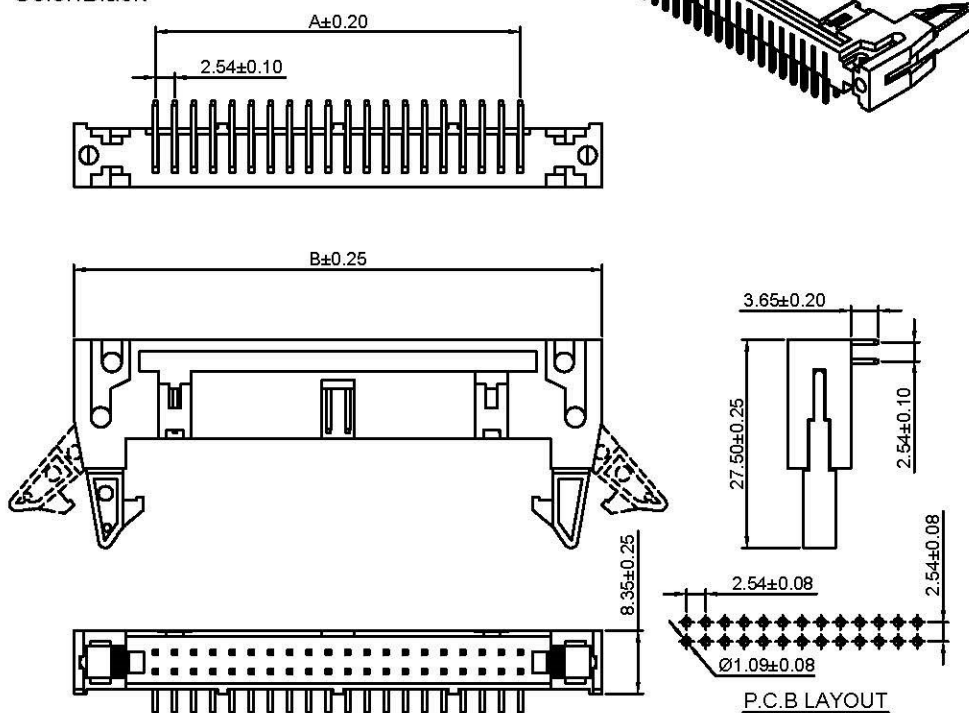
Unit: mm

A2547WR-2

2.54mm Pitch 90° Box Header

Reference Informations:

- *Material: Pin: Brass/Gold over Nickel
Insulator: PBT30%GF, UL94V-0
- *Mates with A2547 series Dual row Housing
- *Color: Black



Ordering Information & Dimensions:

PART NO.	Dimensions	
	A	B
A2547WR-2x5P	10.16	32.00
A2547WR-2x6P	12.70	34.54
A2547WR-2x7P	15.24	37.08
A2547WR-2x8P	17.78	39.62
A2547WR-2x9P	20.32	42.16
A2547WR-2x10P	22.86	44.70
A2547WR-2x11P	25.40	47.24
A2547WR-2x12P	27.94	49.78
A2547WR-2x13P	30.48	52.32
A2547WR-2x14P	33.02	54.86
A2547WR-2x15P	35.56	57.40
A2547WR-2x16P	38.10	59.94
A2547WR-2x17P	40.64	62.48
A2547WR-2x18P	43.18	65.02
A2547WR-2x19P	45.72	67.56
A2547WR-2x20P	48.26	70.10
A2547WR-2x21P	50.80	72.64
A2547WR-2x22P	53.34	75.18
A2547WR-2x23P	55.88	77.72
A2547WR-2x24P	58.42	80.26
A2547WR-2x25P	60.96	82.80
A2547WR-2x26P	63.50	85.34
A2547WR-2x27P	66.04	87.88
A2547WR-2x28P	68.58	90.42
A2547WR-2x29P	71.12	92.96
A2547WR-2x30P	73.66	95.50
A2547WR-2x31P	76.20	98.04
A2547WR-2x32P	78.74	100.58

Unit: mm