

A2547 SERIES

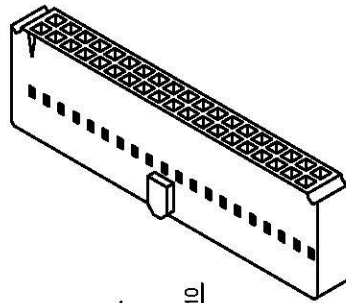
2.54mm pitch wire to board connector

A2547H-2

2.54mm Pitch Dual Row Housing

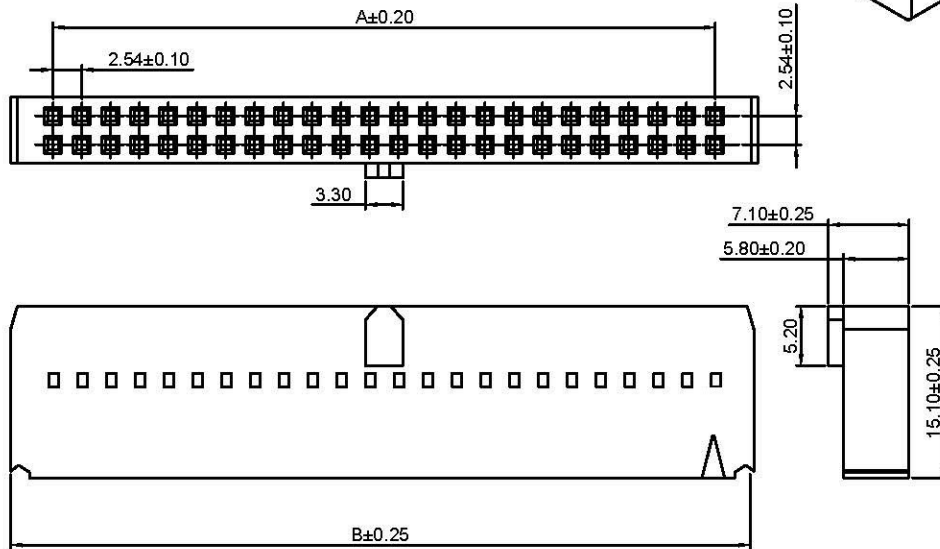
Reference Informations:

- *Material: PBT30%GF, UL94V-0
- *Suitable A2547 series Terminal
- *Mates with A2547WW-2 series Wafer or 2547WR-2 series Wafer
- *Color: Black



Ordering Information & Dimensions:

PART NO.	Dimensions	
	A	B
A2547H-2x3P	5.08	12.22
A2547H-2x4P	7.62	14.76
A2547H-2x5P	10.16	17.30
A2547H-2x6P	12.70	19.84
A2547H-2x7P	15.24	22.38
A2547H-2x8P	17.78	24.92
A2547H-2x9P	20.32	27.46
A2547H-2x10P	22.86	30.00
A2547H-2x11P	25.40	32.54
A2547H-2x12P	27.94	35.08
A2547H-2x13P	30.48	37.62
A2547H-2x14P	33.02	40.16
A2547H-2x15P	35.56	42.70
A2547H-2x16P	38.10	45.24
A2547H-2x17P	40.64	47.78
A2547H-2x18P	43.18	50.32
A2547H-2x19P	45.72	52.86
A2547H-2x20P	48.26	55.40
A2547H-2x21P	50.80	57.94
A2547H-2x22P	53.34	60.48
A2547H-2x23P	55.88	63.02
A2547H-2x24P	58.42	65.56
A2547H-2x25P	60.96	68.10
A2547H-2x26P	63.50	70.64
A2547H-2x27P	66.04	73.18
A2547H-2x28P	68.58	75.72
A2547H-2x29P	71.12	78.26
A2547H-2x30P	73.66	80.80
A2547H-2x31P	76.20	83.34
A2547H-2x32P	78.74	85.88



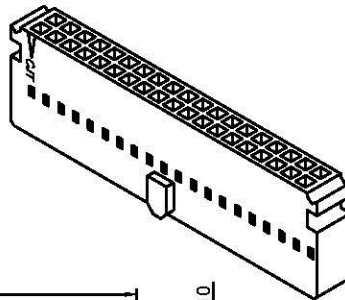
Unit: mm

A2547HA-2

2.54mm Pitch Dual Row Housing

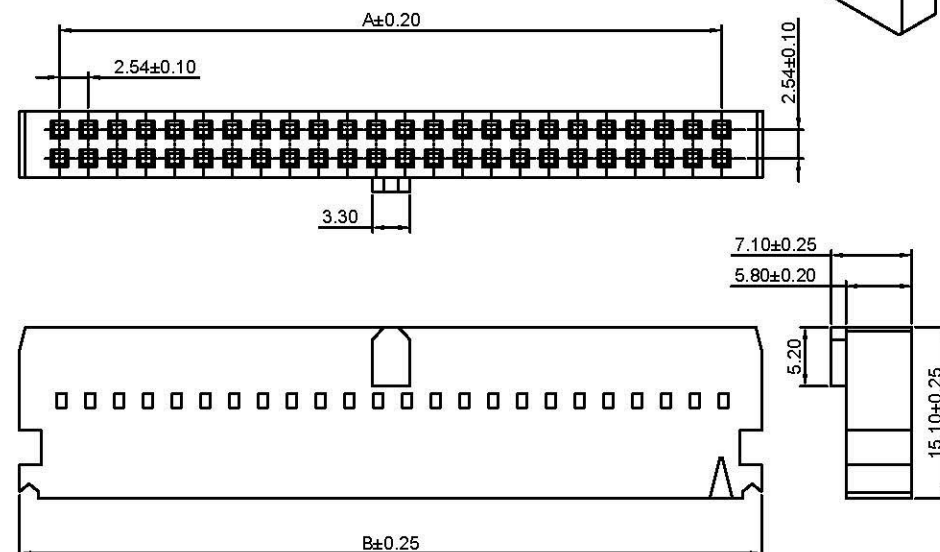
Reference Informations:

- *Material: PBT30%GF, UL94V-0
- *Suitable A2547 series Terminal
- *Mates with A2547WW-2 series Wafer or 2547WR-2 series Wafer
- *Color: Black



Ordering Information & Dimensions:

PART NO.	Dimensions	
	A	B
A2547HA-2x3P	5.08	12.22
A2547HA-2x4P	7.62	14.76
A2547HA-2x5P	10.16	17.30
A2547HA-2x6P	12.70	19.84
A2547HA-2x7P	15.24	22.38
A2547HA-2x8P	17.78	24.92
A2547HA-2x9P	20.32	27.46
A2547HA-2x10P	22.86	30.00
A2547HA-2x11P	25.40	32.54
A2547HA-2x12P	27.94	35.08
A2547HA-2x13P	30.48	37.62
A2547HA-2x14P	33.02	40.16
A2547HA-2x15P	35.56	42.40
A2547HA-2x16P	38.10	45.24
A2547HA-2x17P	40.64	47.78
A2547HA-2x18P	43.18	50.32
A2547HA-2x19P	45.72	52.86
A2547HA-2x20P	48.26	55.40
A2547HA-2x21P	50.80	57.94
A2547HA-2x22P	53.34	60.48
A2547HA-2x23P	55.88	63.02
A2547HA-2x24P	58.42	65.56
A2547HA-2x25P	60.96	68.10
A2547HA-2x26P	63.50	70.64
A2547HA-2x27P	66.04	73.18
A2547HA-2x28P	68.58	75.72
A2547HA-2x29P	71.12	78.26
A2547HA-2x30P	73.66	80.80
A2547HA-2x31P	76.20	83.34
A2547HA-2x32P	78.74	85.88



Unit: mm