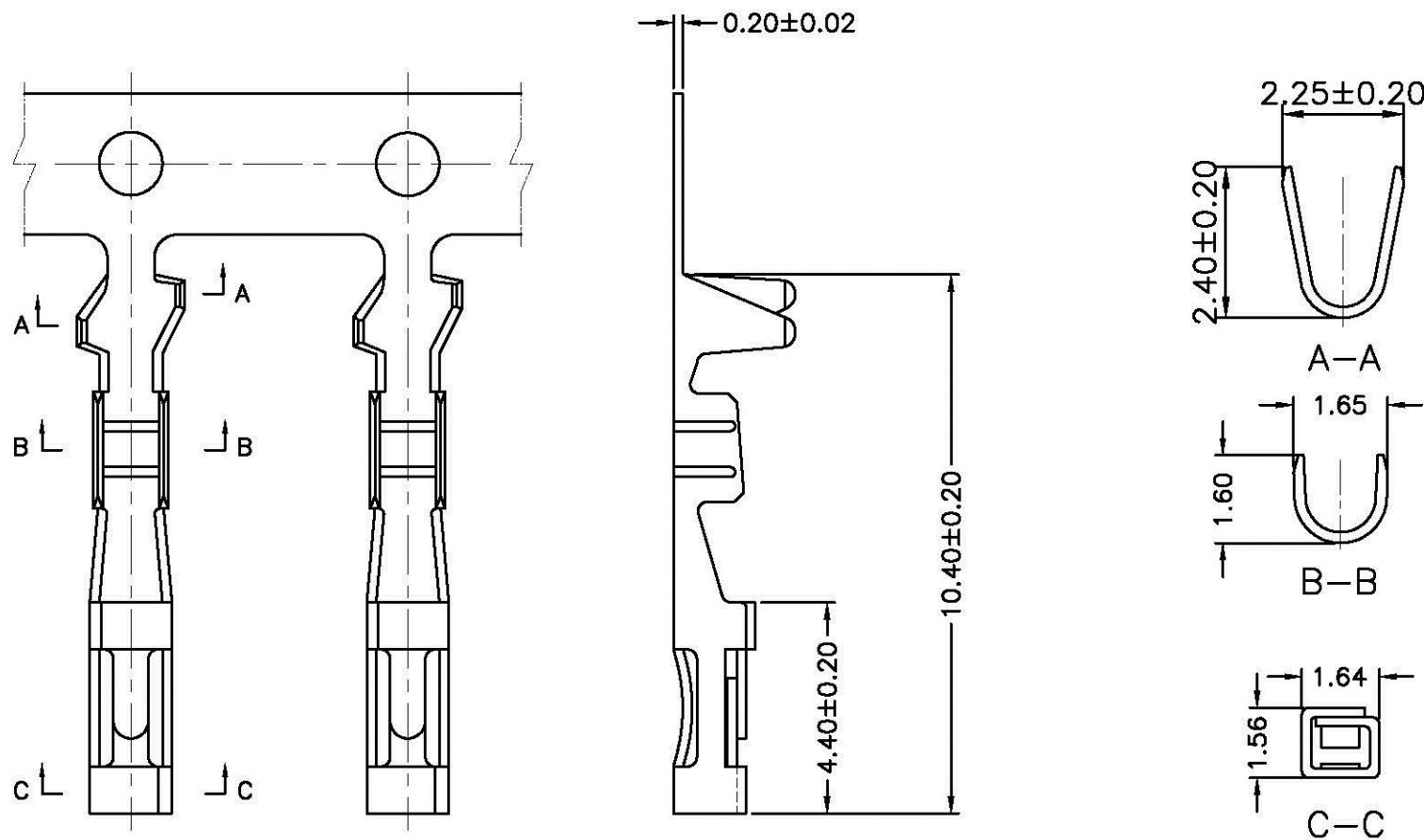


RoHS Compliant

REV.	ECN. NO.	DESCRIPTION	APPD.
		NEW RELEASE	



Ordering Information & Specification:

Part No	Wire Range	Insulation O.D.	Material	Finish	Qty/Reel
A2541T-PA-Z	AWG #26~#28	1.60mm(max)	Phosphor bronze	Tin-plated	10.000 pcs

Tolerance X.X ± 0.30 X.XX ± 0.20 X.XXX ± 0.10 Angle $\pm 3.0^\circ$	Model Name: 2.54mm PITCH CRIMP TERMINAL Model No: A2541T-PA-Z	Drawn: 汪微微 2013.01.01 Checked: 张 碧 Approved: 张 碧 DWG NO. CNJST/GCCP-0032
	 SCALE: FULL REVISION: B/0	All Connectors <small>www.allconnectors.de Tel.: 0049 714 7009003 29251 Hülshausen - Germany</small>
UNIT: mm	<small>Info@allconnectors.de Tel.: 0049 714 7009004 29251 Hülshausen - Germany</small>	