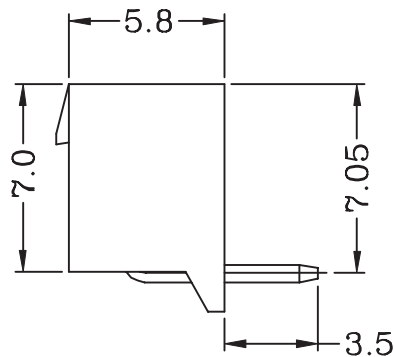
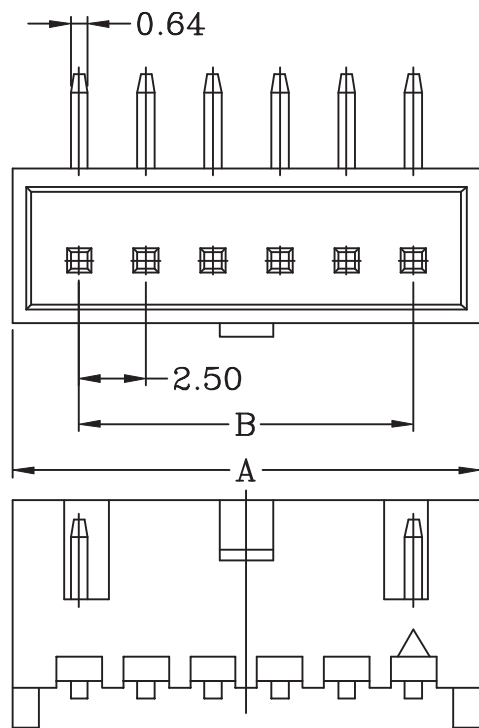


P.C.B LAYOUT



Features:

- \* Available in 2 through 15 circuits
- \* Material: Insulator: Nylon 66 UL 94V-0 or PBT UL 94V-0  
Contact: 0.64mm(.025") square pin, brass, tin plated

YH25-R-xx-LF  
LEADFREE  
RoHS Compliant

Circuits	Part No	Dimension mm		Qty/bag
	Right Angle	A	B	
2	YH25-R-02	7.48	2.50	1000
3	YH25-R-03	9.98	5.00	1000
4	YH25-R-04	12.48	7.50	1000
5	YH25-R-05	14.98	10.00	1000
6	YH25-R-06	17.48	12.50	1000
7	YH25-R-07	19.98	15.00	500
8	YH25-R-08	22.48	17.50	500
9	YH25-R-09	24.98	20.00	500
10	YH25-R-10	27.48	22.50	500
11	YH25-R-11	29.98	25.00	500
12	YH25-R-12	32.48	27.50	500
13	YH25-R-13	34.98	30.00	500
14	YH25-R-14	37.48	32.50	500
15	YH25-R-15	39.98	35.00	500

**All Connectors**

www.allconnectors.eu | info@allconnectors.eu  
Tel. +49 (0)711 / 358 110 20 | Fax +49 (0)711 / 358 110 25

PART NO. YH25-R-xx

DWG NO. YH25-R-xx

FILE NO.

UNIT / mm

SCALE 1:1

CHECKED BY CY

DRAWING BY

PROJECTION



TOLERANCES ARE

.X ± 0.2

.XX ±

.XXX ±

AWG

DESCRIPTION:

AREA

REVISIONS

HK

DATE