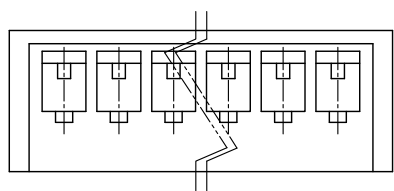
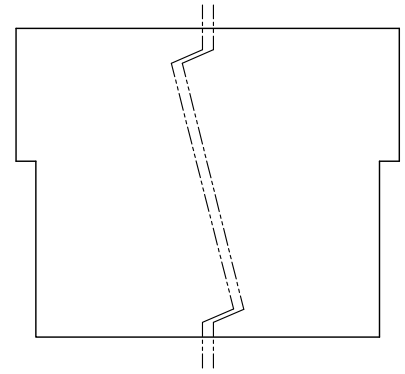
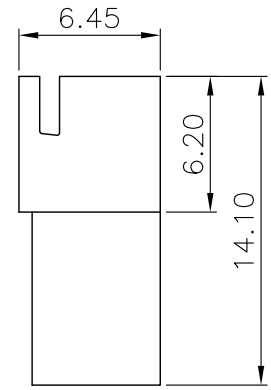
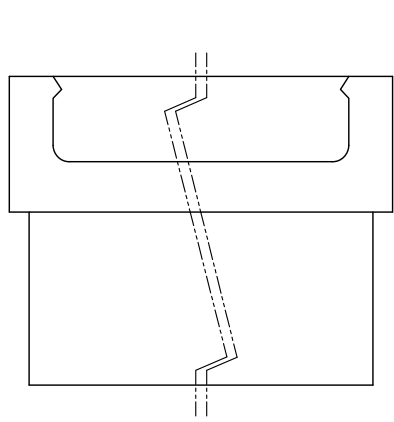


NOTE :
 * Material : Nylon UL 94V-0
 * Standard Color : White
 * Electrical rating : CSA 125V 2.5A, AC/DC
 * 2-20 circuits available

XH-P-xx-LF
 LEADFREE
 RoHS Compliant



| CIRCUITS | PART NO. | DIM. A | DIM. B | CIRCUITS | PART NO. | DIM. A | DIM. B |
|----------|----------|--------|--------|----------|----------|--------|--------|
| 2 | XH-P-02 | 2.50 | 7.50 | 12 | XH-P-12 | 27.50 | 32.50 |
| 3 | XH-P-03 | 5.00 | 10.00 | 13 | XH-P-13 | 30.00 | 35.00 |
| 4 | XH-P-04 | 7.50 | 12.50 | 14 | XH-P-14 | 32.50 | 37.50 |
| 5 | XH-P-05 | 10.00 | 15.00 | 15 | XH-P-15 | 35.00 | 40.00 |
| 6 | XH-P-06 | 12.50 | 17.50 | 16 | XH-P-16 | 37.50 | 42.50 |
| 7 | XH-P-07 | 15.00 | 20.00 | 17 | XH-P-17 | 40.00 | 45.00 |
| 8 | XH-P-08 | 17.50 | 22.50 | 18 | XH-P-18 | 42.50 | 47.50 |
| 9 | XH-P-09 | 20.00 | 25.00 | 19 | XH-P-19 | 45.00 | 50.00 |
| 10 | XH-P-10 | 22.50 | 27.50 | 20 | XH-P-20 | 47.50 | 52.50 |
| 11 | XH-P-11 | 25.00 | 30.00 | | | | |

| | | | | | | | | |
|------------------|-----------|---------------|--|--|---------------|----|------|--|
| PART NO. XH-P-xx | | CHECKED BY CY | | TOLERANCES ARE .X ± 0.2 .XX ± .XXX ± AWG | DESCRIP TION: | | | |
| DWG NO. XH-P-xx | | DRAWING BY | | | | | | |
| FILE NO. | | PROJECTION | | AREA | REVISIONS | HK | DATE | |
| UNIT / mm | SCALE 1:1 | | | | | | | |