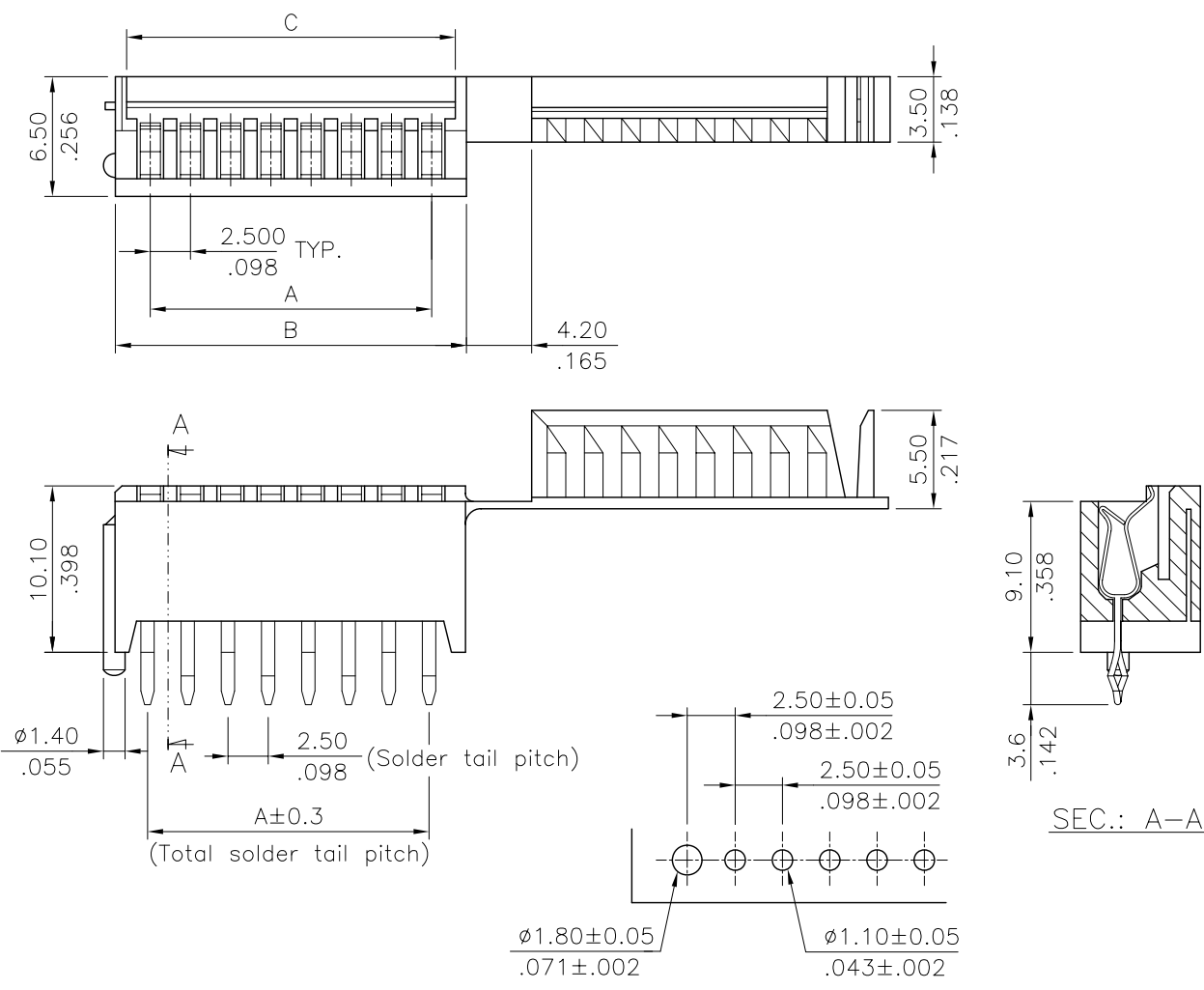


1 2 3 4 5 6 7 8 9 0

J  
I  
H  
G  
F  
E  
D  
C  
B  
A



Material:  
 \* Insulation: Nylon 66, Color Nature  
 \* Contact: Phosphor Bronze

WT-DH-xx-LF  
 LEADFREE  
 03:3PIN  
 10:10PIN  
 RoHS Compliant

Circuits	Dimension		
	A	B	C
3	5.00(.197)	10.1(.398)	8.20(.324)
4	7.50(.295)	12.6(.496)	10.70(.421)
5	10.00(.394)	15.1(.594)	13.20(.520)
6	12.50(.492)	17.6(.693)	15.70(.618)
7	15.00(.591)	20.1(.791)	18.20(.716)
8	17.50(.689)	22.6(.890)	20.70(.815)
9	20.00(.787)	25.1(.988)	23.20(.913)
10	22.50(.886)	27.6(1.087)	25.70(1.012)

Recommended P.C. Board Layout

PART NO. WT-DH-xx		CHECKED BY CY		TOLERANCES ARE .X ± 0.2 .XX ± 0.1 .XXX ± AWG	DESCRIP TION:			
DWG NO. WT-DH-xx		DRAWING BY			AREA	REVISIONS	HK	DATE
FILE NO.		PROJECTION						
UNIT / mm	SCALE 1:1							