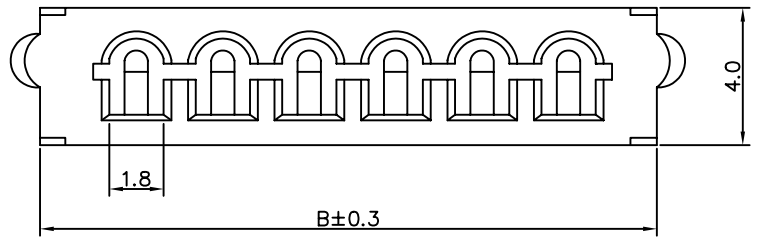
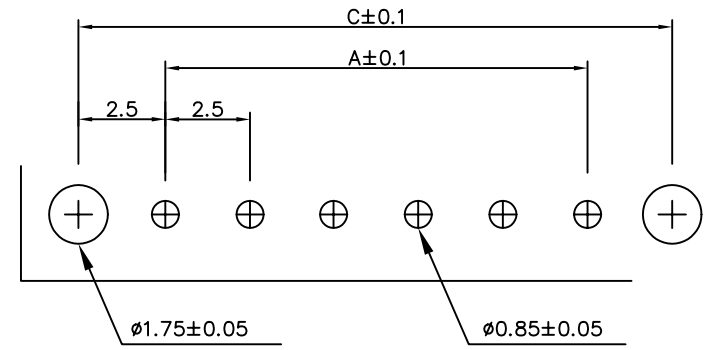
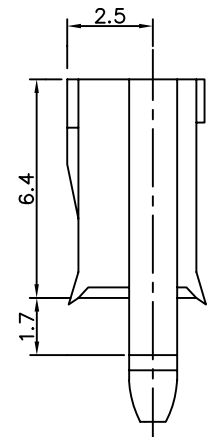
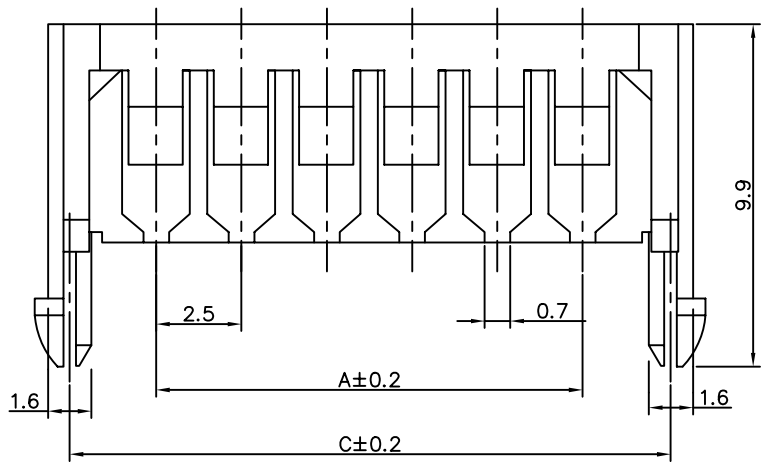


1 2 3 4 5 6 7 8 9 0

J  
I  
H  
G  
F  
E  
D  
C  
B  
A



Insulator: PBT & Nylon. UL 94V-0. Color Nature  
Accommodated Wire Size: AWG#24~26



Recommended P.C. Board Layout

A = 2.5 X No.of Spaces  
B = A+5.3  
C = A+5.0  
\*Available in 2 through 15 circuits

 <small>www.allconnectors.eu   info@allconnectors.eu Tel. +49 (0)711 / 358 110 20   Fax +49 (0)711 / 358 110 25</small>	PART NO. WH-DB-xx		CHECKED BY CY	TOLERANCES ARE .X ± 0.3 .XX ± 0.2 .XXX ± 0.1 AWG	DESCRIP TION: 2.50mm WIRE HOLDER CONNECTOR			
	DWG NO. WH-DB-xx				DRAWING BY	AREA	REVISIONS	HK
	FILE NO.		PROJECTION					
	UNIT / mm	SCALE 1:1						