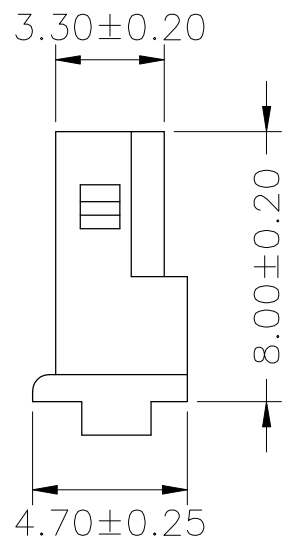
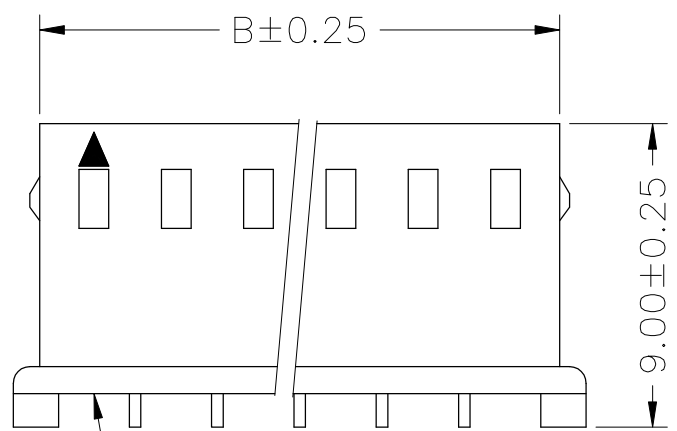
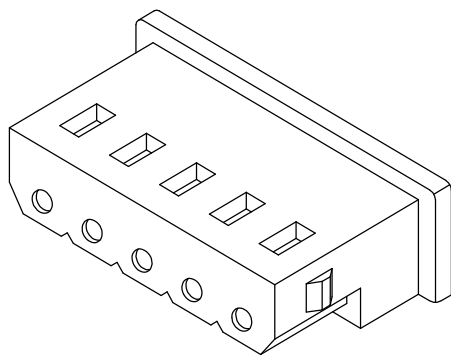
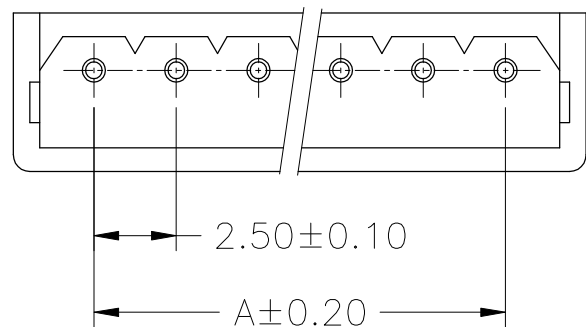


1 2 3 4 5 6 7 8 9 0

J
I
H
G
F
E
D
C
B
A

SPECIFICATIONS

Current Rating: 3A AC,DC
 Voltage Rating: 250V AC,DC
 Temperature Range: -25°C ~ +85°C
 Contact Resistance: 20mΩ Max
 Insulation Resistance: 1000MΩ Min
 Withstanding Voltage: 800V AC/minute
 Material: Nylon 66,UL94V-0



Ordering Information & Dimensions

| PART NO. | Dimensions | |
|----------------|------------|-------|
| | A | B |
| MW-H-02 | 2.50 | 5.80 |
| MW-H-03 | 5.00 | 8.30 |
| MW-H-04 | 7.50 | 10.80 |
| MW-H-05 | 10.00 | 13.30 |
| MW-H-06 | 12.50 | 15.80 |
| MW-H-07 | 15.00 | 18.30 |
| MW-H-08 | 17.50 | 20.80 |
| MW-H-09 | 20.00 | 23.30 |
| MW-H-10 | 22.50 | 25.80 |
| MW-H-11 | 25.00 | 28.30 |
| MW-H-12 | 27.50 | 30.80 |
| MW-H-13 | 30.00 | 33.30 |
| MW-H-14 | 32.50 | 35.80 |
| MW-H-15 | 35.00 | 38.30 |
| MW-H-16 | 37.50 | 40.80 |

Circuit 1

| | | | | | | | | |
|-------------------------|--|---------------|--|--|---|-----------|----|------|
| PART NO. MW-H-xx | | CHECKED BY CY | | TOLERANCES ARE .X ± 0.2 .XX ± .XXX ± AWG | DESCRIP TION: 2.50mm PITCH HOUSING | | | |
| DWG NO. MW-H-xx | | DRAWING BY | | | AREA | REVISIONS | HK | DATE |
| FILE NO. | | PROJECTION | | | | | | |
| UNIT / mm | | SCALE 1 : 1 | | | | | | |