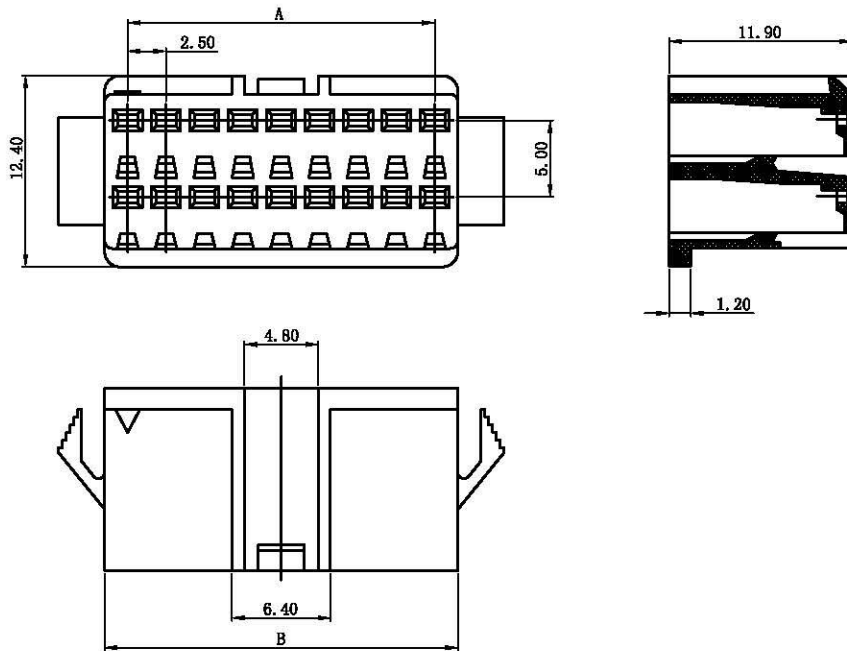


C2505 Series 2.50mm Pitch Series Wire to Wire Connectors

C2505HF-2NP-NOBK

2.50mm Pitch Dual Row Housing



Reference Informations:

*Material:

Housing: PA66 UL94V-0/Black

*Suitable LDZY C2505 series Terminal

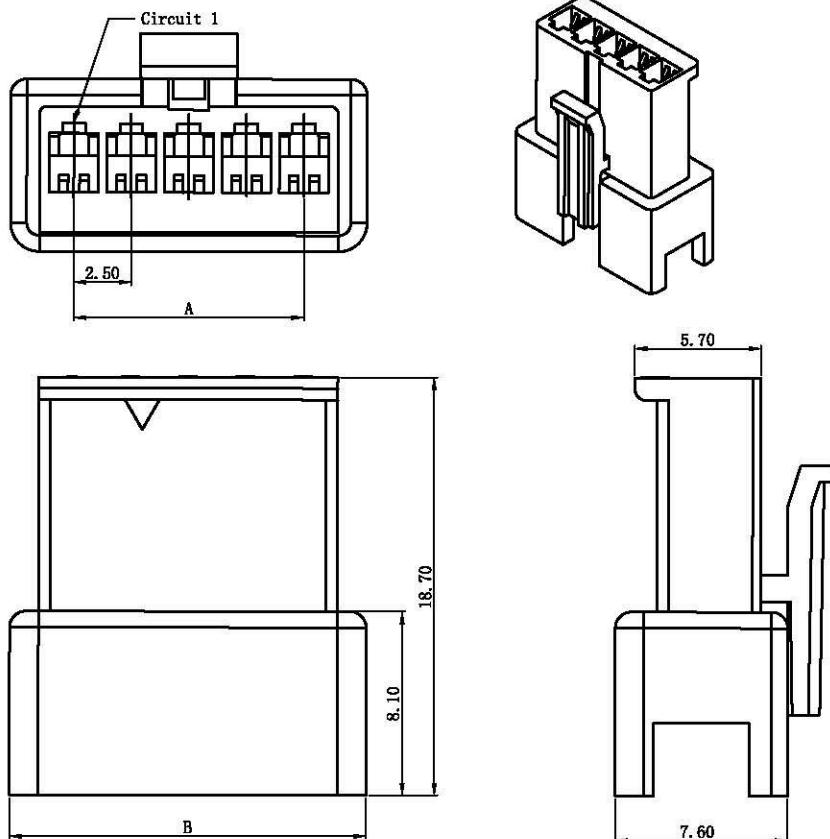
*Mates with LDZY C2505 Male Housing

Ordering Information & Dimensions

Poles	Dimensions (mm)	
	A	B
2*7	15.00	18.00
2*8	17.50	20.50
2*9	20.00	23.00
2*10	22.50	25.50

C2505HM-NP-NOBK

2.50mm Pitch Single Row Housing



Reference Informations:

*Material:

Housing: PA66 UL94V-0/Black

*Suitable LDZY C2505 series Terminal

*Mates with LDZY C2505 Female Housing

Ordering Information & Dimensions

Poles	Dimensions (mm)	
	A	B
02	2.50	8.00
03	5.00	10.50
04	7.50	13.00
05	10.00	15.50
06	12.50	18.00
07	15.00	20.50
08	17.50	23.00
09	20.00	25.50
10	22.50	28.00
11	25.00	30.50
12	27.50	33.00