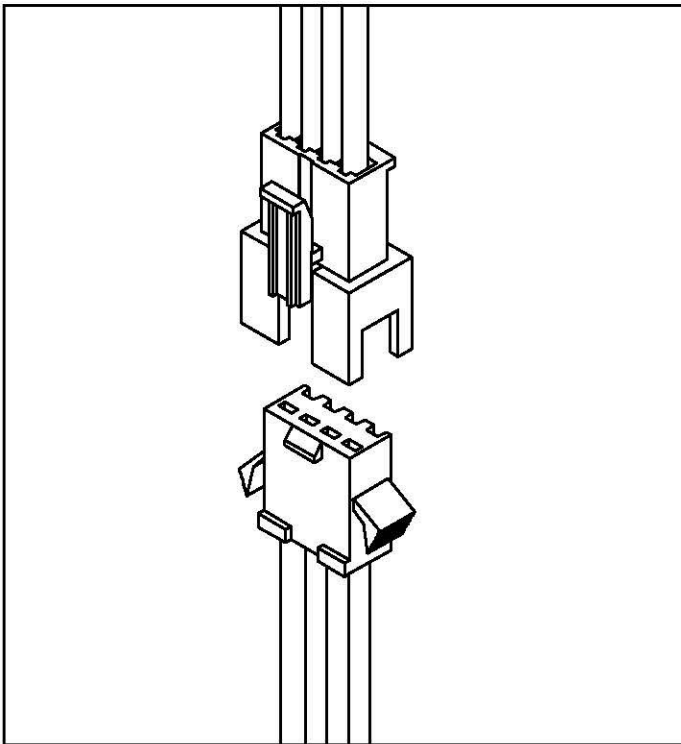


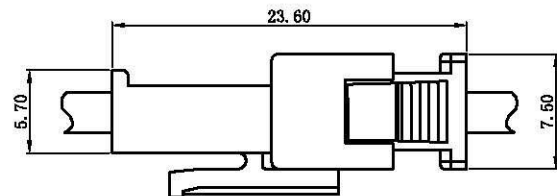
C2505 Series 2.50mm Pitch Series Wire to Wire Connectors



SPECIFICATIONS:

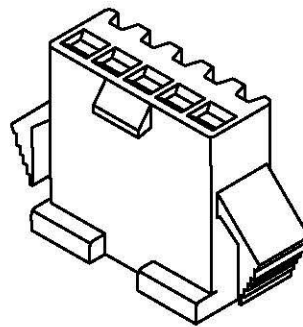
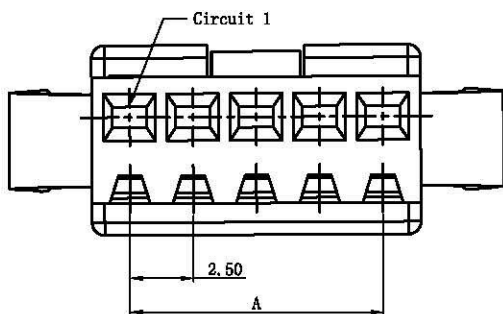
Voltage Rating: 250V AC/DC
 Current Rating: 3A AC/DC
 Withstanding Voltage: 1500V AC/Minute
 Temperature Range: -25°C~+85°C
 Insulation Resistance: 500MΩ Min.
 Contact Resistance: 10mΩ Max.
 Applicable Wire Range: AWG#22~28.

Assembly Layout:



C2505HF-NP-NOBK

2.50mm Pitch Single Row Housing



Reference Informations:

*Material:

Housing: PA66 UL94V-0/Black

*Suitable C2505 series Terminal

*Mates with C2505 Male Housing

Ordering Information & Dimensions

Poles	Dimensions (mm)	
	A	B
02	2.50	5.50
03	5.00	8.00
04	7.50	10.50
05	10.00	13.00
06	12.50	15.50
07	15.00	18.00
08	17.50	20.50
09	20.00	23.00
10	22.50	25.50
11	25.00	28.00
12	27.50	30.50

