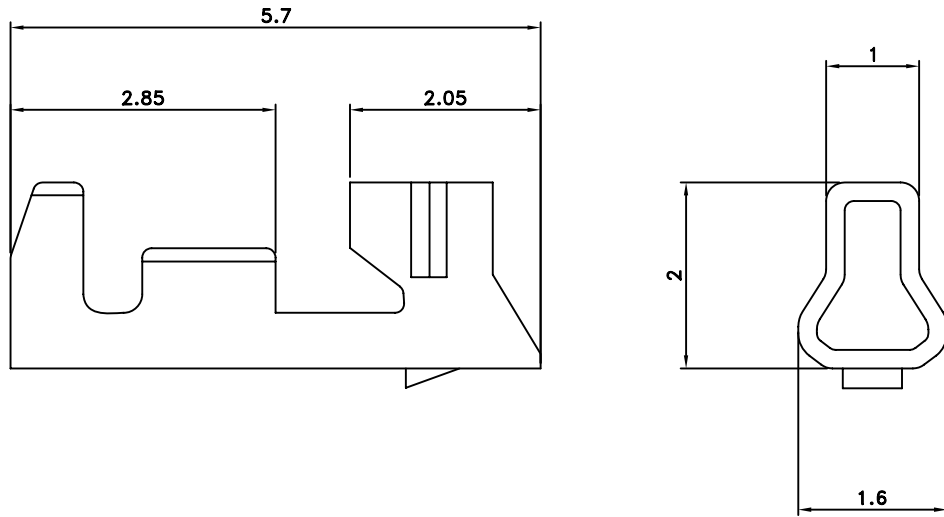


1 2 3 4 5 6 7 8 9 0


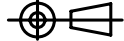
J
I
H
G
F
E
D
C
B
A



SPECIFICATION
 CURRENT RATING: 2A AC,DC
 VOLTAGE RATING: 250V AC,DC
 TEMPERATURE RANGE: -25°C TO +85°C
 (INCLUDING TEMPERATURE RISE)
 CONTACT RESISTANCE: INITIAL VALUE/10M OHM MAX.
 AFTER ENVIRONMENTAL TESTING/20M OHM MAX.
 INSULATION RESISTANCE: 1,000M OHM MIN.
 WITHSTANDING VOLTAGE: 800V AC/MINUTE

MATERIAL AND FINISH
 CONTACT: PHOSPHOR BRONZE, TIN-PLATED
 POST: BRASS, COPPER-UNDERCOATED, TIN/LEAD PLATED
 APPLICABLE WIRE: AWG #30 TO #24
 AVAILABLE NUMBER OF CIRCUITS: 2 TO 15
 PC BOARD MOUNTING DIRECTION: STRAIGHT, RIGHT-ANGLE

MECHANICAL PERFORMANCE
 INSERTION FORCE.....280G MAX
 WITHDRAWAL FORCE.....210G
 RETENTION FORCE.....1.2KGF
 DURABILITY(MATING CYCLES)
 TIN-LEAD.....20

 www.allconnectors.eu info@allconnectors.eu Tel. +49 (0)711 / 358 110 20 Fax +49 (0)711 / 358 110 25		PART NO. PH-T-24		TOLERANCES ARE X. XX. XXX. AWG		DESCRIP TION:				
		DWG NO. PH-T-24								APPROVED BY CY
FILE NO.		DRAWING BY		PROJECTION 		AREA	REVISIONS	HK	DATE	
UNIT / mm	SCALE 1:1									