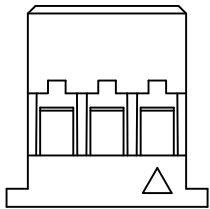
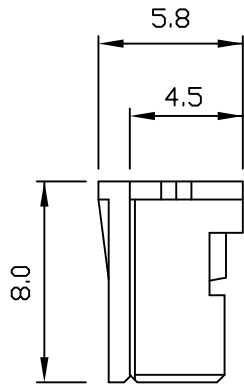
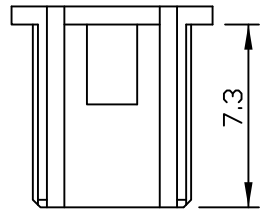
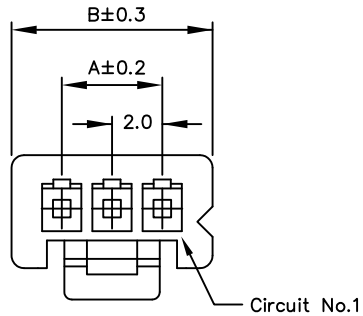
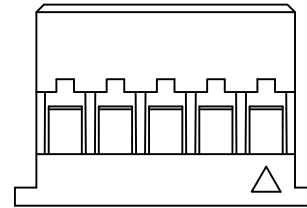
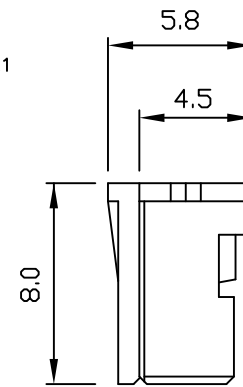
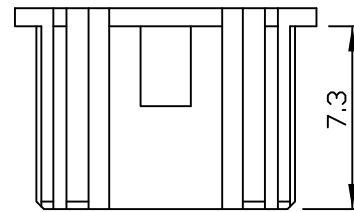
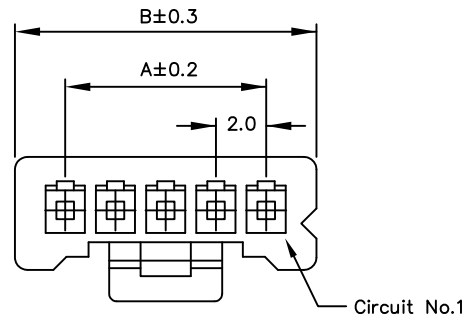


2-4 Pin



Poles	Dimension mm (in.)		Part No.
	A	B	
2	2.0(0.079)	6.0(0.236)	PA-H-02
3	4.0(0.157)	8.0(0.315)	PA-H-03
4	6.0(0.236)	10.0(0.394)	PA-H-04

5-9 Pin



Poles	Dimension mm (in.)		Part No.
	A	B	
5	8.0(0.315)	12.0(0.472)	PA-H-05
6	10.0(0.394)	14.0(0.551)	PA-H-06
7	12.0(0.472)	16.0(0.630)	PA-H-07
8	14.0(0.551)	18.0(0.709)	PA-H-08
9	16.0(0.630)	20.0(0.787)	PA-H-09

Specifications
 Current Rating: 3A AC/ DC (Max)AWG#22
 Voltage Rating: 250V AC/ DC
 Temperature Range: -25°C ~ + 85°C
 Contact Resistance: 20mΩ Max
 Insulation Resistance: 1000MΩ Min
 Withstanding Voltage:800V AC/Minute
 Features:
 Available number of circuits:2 to 15 pin
 Material: Nylon 66 UL 94V-0,natural

PART NO. PA-H-xx

DWG NO. PA-H-xx

FILE NO.

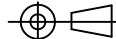
UNIT / mm

SCALE 1:1

CHECKED BY CY

DRAWING BY

PROJECTION



TOLERANCES ARE

.X ± 0.2

.XX ±

.XXX ±

AWG

DESCRIPTION:

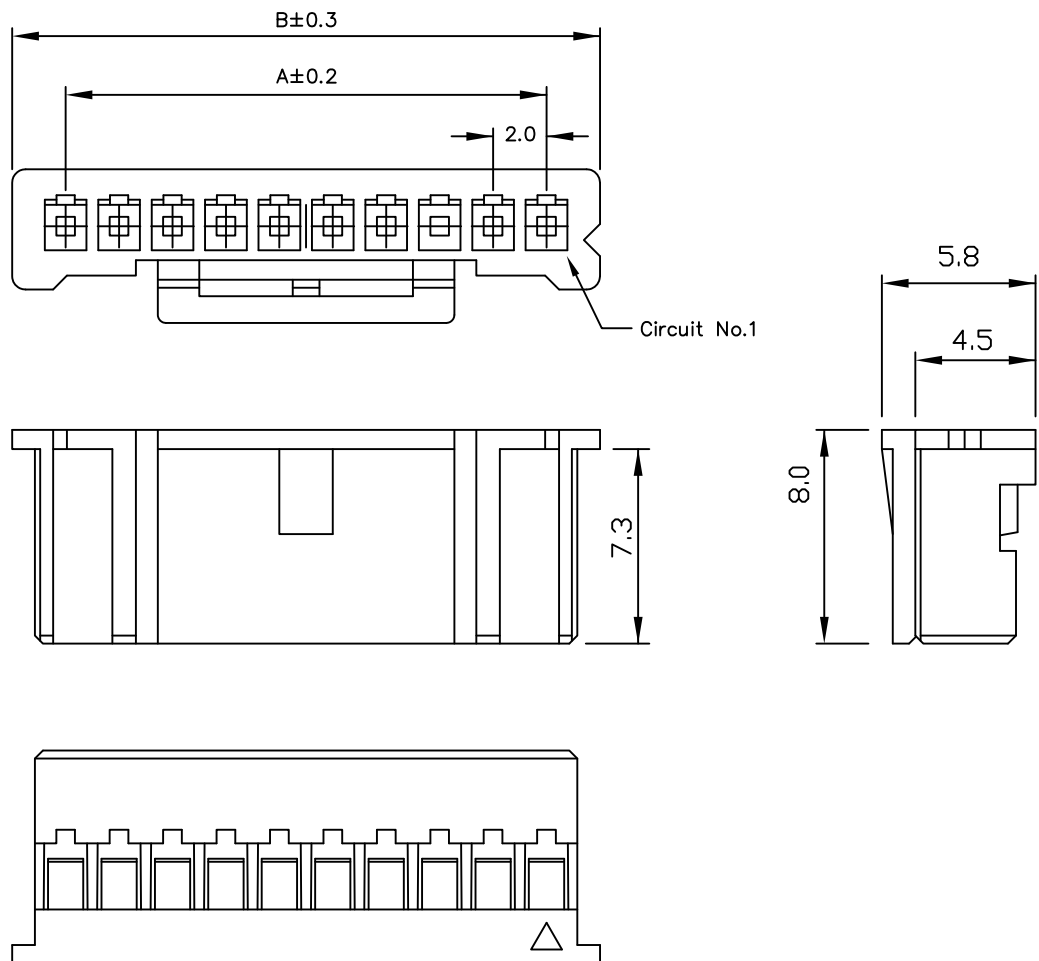
AREA

REVISIONS

HK

DATE

10-15 Pin



Specifications
 Current Rating: 3A AC/ DC (Max)AWG#22
 Voltage Rating: 250V AC/ DC
 Temperature Range: -25°C ~ + 85°C
 Contact Resistance: 20mΩ Max
 Insulation Resistance: 1000MΩ Min
 Withstanding Voltage:800V AC/Minute
 Features:
 Available number of circuits:2 to 15 pin
 Material: Nylon 66 UL 94V-0,natural

Poles	Dimension mm (in.)		Part No.
	A	B	
10	18.0(0.709)	22.0(0.866)	PA-H-10
11	20.0(0.787)	24.0(0.945)	PA-H-10
12	22.0(0.866)	26.0(1.024)	PA-H-10
13	24.0(0.945)	28.0(1.102)	PA-H-10
14	26.0(1.024)	30.0(1.181)	PA-H-10
15	28.0(1.102)	32.0(1.260)	PA-H-10

PA-H-xx-LF
 T
 LEADFREE
 RoHS Compliant

 www.allconnectors.eu info@allconnectors.eu Tel. +49 (0)711 / 358 110 20 Fax +49 (0)711 / 358 110 25	PART NO. PA-H-xx		CHECKED BY CY	TOLERANCES ARE .X ± 0.2 .XX ± .XXX ± AWG	DESCRIP TION: 2.0mm Wire-to-Board Housing		
	DWG NO. PA-H-xx					DRAWING BY	
	FILE NO.		PROJECTION	AREA	REVISIONS	HK	DATE
	UNIT / mm	SCALE 1:1					