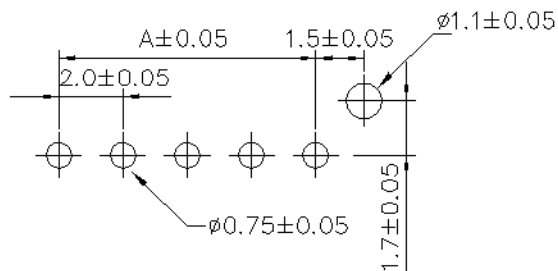
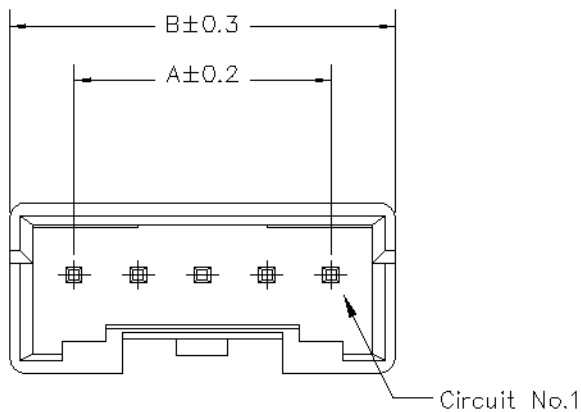
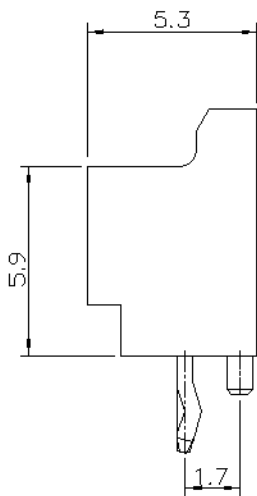
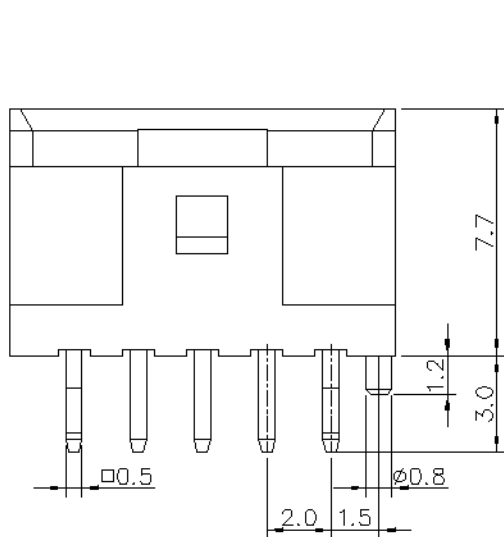


(2 to 9 circuits)



RECOMMENDED P.C. BOARD HOLE DIMM.



Specifications

Current Rating: 3A AC/ DC (Max)AWG#22  
 Voltage Rating: 250V AC/ DC  
 Temperature Range: -25°C ~ + 85°C  
 Contact Resistance: 20mΩ Max  
 Insulation Resistance: 1000MΩ Min  
 Withstand Voltage:800V AC/Minute  
 Pin Material: Brass/ Tin-plated  
 Wafer Material: Glass-filled PBT,UL94V-0,natural

PA-DP-xx-LF  
 LEADFREE

RoHS Compliant

Poles	Dimension mm (in.)		Part No.
	A	B	
2	2.0(0.079)	6.0(0.236)	PA-DP-02
3	4.0(0.157)	8.0(0.315)	PA-DP-03
4	6.0(0.236)	10.0(0.394)	PA-DP-04
5	8.0(0.315)	12.0(0.472)	PA-DP-05
6	10.0(0.394)	14.0(0.551)	PA-DP-06
7	12.0(0.472)	16.0(0.630)	PA-DP-07
8	14.0(0.551)	18.0(0.709)	PA-DP-08
9	16.0(0.630)	20.0(0.787)	PA-DP-09

**Allconnectors**

www.allconnectors.eu | info@allconnectors.eu  
 Tel. +49 (0)711 / 358 110 20 | Fax +49 (0)711 / 358 110 25

PART NO. PA-DP-xx

DWG NO. PA-DP-xx

FILE NO.

UNIT / mm

SCALE 1:1

CHECKED BY CY

DRAWING BY

PROJECTION

TOLERANCES ARE

.X ± 0.2  
 .XX ±  
 .XXX ±  
 AWG

DESCRIPTION:

2.0mm Wire-to-Board Header  
 DIP 180° Type

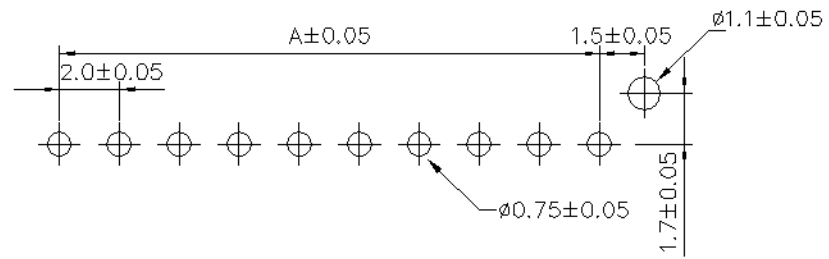
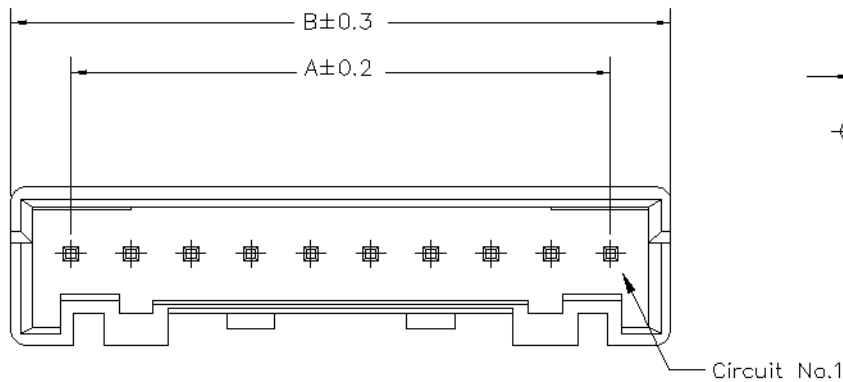
AREA

REVISIONS

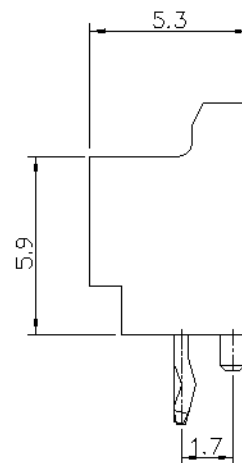
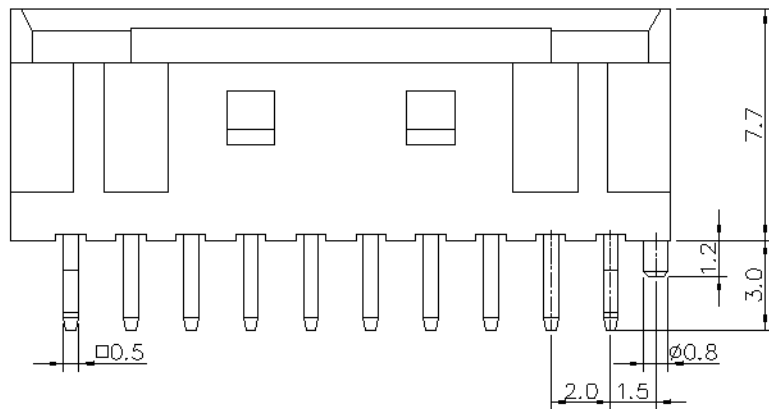
HK

DATE

(10 to 15 circuits)



RECOMMENDED P.C BOARD HOLE DIMM.



Specifications

Current Rating: 3A AC/ DC (Max)AWG#22  
 Voltage Rating: 250V AC/ DC  
 Temperature Range: -25°C ~ - 85°C  
 Contact Resistance: 20mΩ Max  
 Insulation Resistance: 1000MΩ Min  
 Withstand Voltage:800V AC/Minute  
 Pin Material: Brass/ Tin-plated  
 Wafer Material: Glass-filled PBT, J1L94V-0.natural

PA-DP-xx-1.F  
 LEADFREE

RoHS Compliant

Poles	Dimension mm (in.)		Part No.
	A	B	
10	18.0(0.709)	22.0(0.866)	PA-DP-10
11	20.0(0.787)	24.0(0.945)	PA-DP-11
12	22.0(0.866)	26.0(1.024)	PA-DP-12
13	24.0(0.945)	28.0(1.102)	PA-DP-13
14	26.0(1.024)	30.0(1.181)	PA-DP-14
15	28.0(1.102)	32.0(1.260)	PA-DP-15

**Allconnectors**

www.allconnectors.eu | info@allconnectors.eu  
 Tel. +49 (0)711 / 358 110 20 | Fax +49 (0)711 / 358 110 25

PART NO. PA-DP-xx

DWG NO. PA-DP-xx

FILE NO.

UNIT / mm

SCALE 1:1

CHECKED BY CY

DRAWING BY

PROJECTION

TOLERANCES ARE

.X ± 0.2  
 .XX ±  
 .XXX ±  
 AWG

DESCRIPTION:

2.0mm Wire-to-Board Header  
 DIP 180° Type

AREA

REVISIONS

HK

DATE