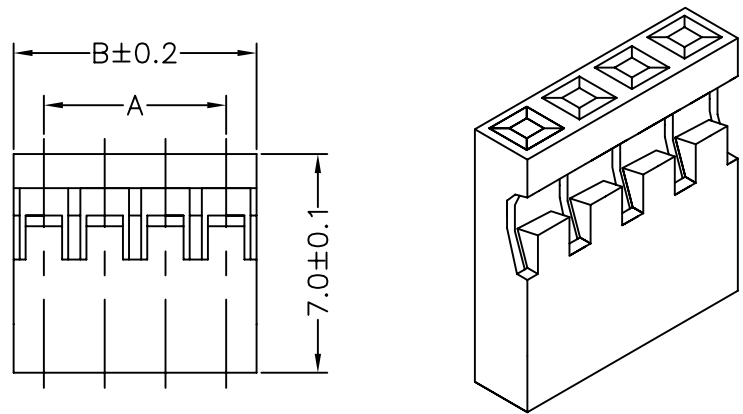


1 2 3 4 5 6 7 8 9 0

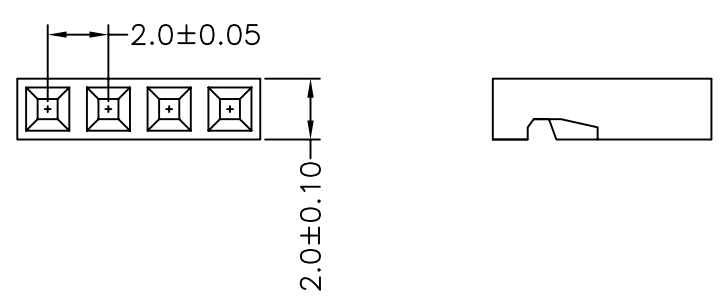
J  
I  
H  
G  
F  
E  
D  
C  
B  
A



MV-H-1Xxx-LF  
LEADFREE

MATERIAL:NORYL-V1

RoHS Compliant



CIRCUITS	PART NO	DIMENSION		CIRCUITS	PART NO	DIMENSION	
		A	B			A	B
2	MV-H-1X02	2.00	4.20	17	MV-H-1X17	32.00	34.20
3	MV-H-1X03	4.00	6.20	18	MV-H-1X18	34.00	36.20
4	MV-H-1X04	6.00	8.20	19	MV-H-1X19	36.00	38.20
5	MV-H-1X05	8.00	10.20	20	MV-H-1X20	38.00	40.20
6	MV-H-1X06	10.00	12.20	21	MV-H-1X21	40.00	42.20
7	MV-H-1X07	12.00	14.20	22	MV-H-1X22	42.00	44.20
8	MV-H-1X08	14.00	16.20	23	MV-H-1X23	44.00	46.20
9	MV-H-1X09	16.00	18.20	24	MV-H-1X24	46.00	48.20
10	MV-H-1X10	18.00	20.20	25	MV-H-1X25	48.00	50.20
11	MV-H-1X11	20.00	22.20	26	MV-H-1X26	50.00	52.20
12	MV-H-1X12	22.00	24.20	27	MV-H-1X27	52.00	54.20
13	MV-H-1X13	24.00	26.20	28	MV-H-1X28	54.00	56.20
14	MV-H-1X14	26.00	28.20	29	MV-H-1X29	56.00	58.20
15	MV-H-1X15	28.00	30.20	30	MV-H-1X30	58.00	60.20
16	MV-H-1X16	30.00	32.20				

PART NO. MV-H-1Xxx		APPROVED BY CY		DESCRIPTION: .079"(2.00mm)CONNECTOR HOUSING
DWG NO. MV-H-1Xxx		DRAWING BY		
FILE NO.		PROJECTION		AREA
UNIT / mm	SCALE 1:1	A尺寸公差如下 2P~10P±0.10m/m 11P~20P±0.20m/m 21P~30P±0.30m/m		REVISIONS
				HK
				DATE

**Allconnectors**  
www.allconnectors.eu | info@allconnectors.eu  
Tel. +49 (0)711 / 358 110 20 | Fax +49 (0)711 / 358 110 25