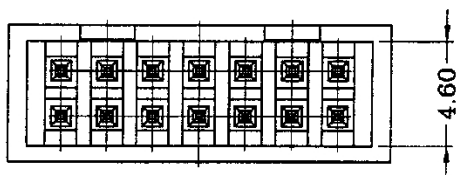
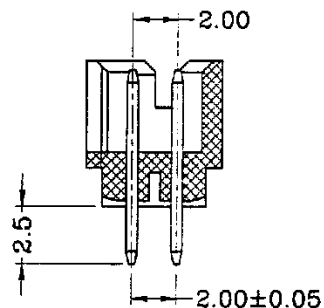
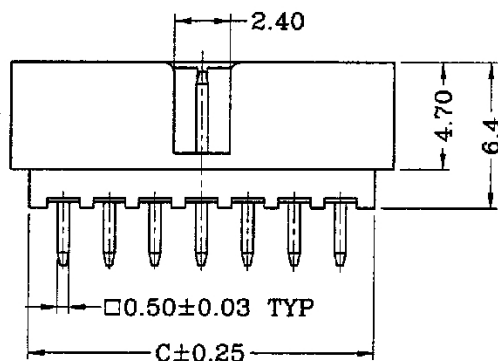


Material: *Insulator: PBT UL 94V-0 with 30% GF
 *Contact: Brass, Gold Plating

MPVK-D-2Xxx-LF
 LEADFREE
 RoHS Compliant



Dimensional & Ordering Information:

Circuits	Dimensions				Pcs/Bag	Circuits	Dimensions				Pcs/Bag
	A	B	C	D			A	B	C	D	
14	16.65	12.00	15.0	14.85	1000	34	36.65	32.00	35.0	34.85	500
16	18.65	14.00	17.0	16.85		36	38.65	34.00	37.0	36.85	
18	20.65	16.00	19.0	18.85		38	40.65	36.00	39.0	38.85	
20	22.65	18.00	21.0	20.85		40	42.65	38.00	41.0	40.85	
22	24.65	20.00	23.0	22.85		42	44.65	40.00	43.0	42.85	
24	26.65	22.00	25.0	24.85		44	46.65	42.00	45.0	44.85	
26	28.65	24.00	27.0	26.85		46	48.65	44.00	47.0	46.85	
28	30.65	26.00	29.0	28.85		48	50.65	46.00	49.0	48.85	
30	32.65	28.00	31.0	30.85		50	52.65	48.00	51.0	50.85	
32	34.65	30.00	33.0	32.85							

PART NO. MPVK-D-2Xxx

DWG NO. MPVK-D-2Xxx

FILE NO.

UNIT / mm

SCALE 1:1

CHECKED BY CY

DRAWING BY

PROJECTION

TOLERANCES ARE

.X ± 0.2
 .XX ±
 .XXX ±
 AWG

DESCRIPTION:

AREA	REVISIONS	HK	DATE
------	-----------	----	------



www.allconnectors.eu | info@allconnectors.eu
 Tel. +49 (0)711 / 358 110 20 | Fax +49 (0)711 / 358 110 25