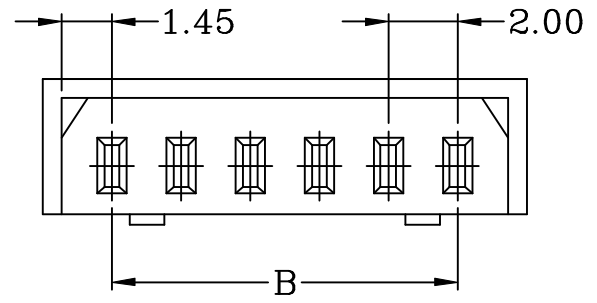
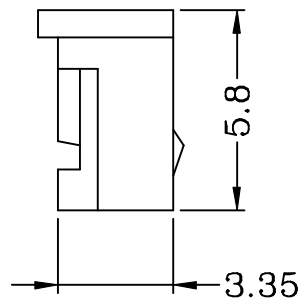
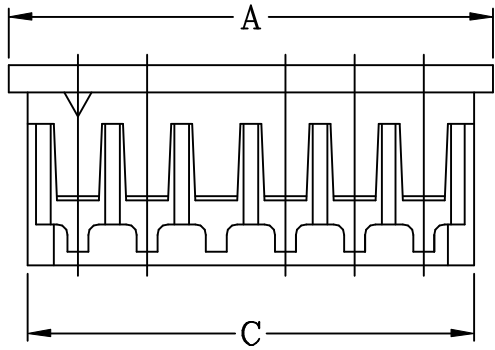


Specifications:

Poles : 2~15 Poles
 Material: Nylon 66 UL 94V-0
 Pitch between poles : 2.0mm
 Applicable Wire Range : AWG #24~#28

MH-H-xx-LF
 LEADFREE

RoHS Compliant



Dimensional & Ordering Information:

Circuits	Part No	Dimensions			Pcs/Bag
		A	B	C	
2	MH-H-02	6.0	2.00	4.90	1000
3	MH-H-03	8.0	4.00	6.90	1000
4	MH-H-04	10.0	6.00	8.90	1000
5	MH-H-05	12.0	8.00	10.90	1000
6	MH-H-06	14.0	10.00	12.90	1000
7	MH-H-07	16.0	12.00	14.90	1000
8	MH-H-08	18.0	14.00	16.90	1000
9	MH-H-09	20.0	16.00	18.90	1000
10	MH-H-10	22.0	18.00	20.90	1000
11	MH-H-11	24.0	20.00	22.90	1000
12	MH-H-12	26.0	22.00	24.90	1000
13	MH-H-13	28.0	24.00	26.90	1000
14	MH-H-14	30.0	26.00	28.90	1000
15	MH-H-15	32.0	28.00	30.90	1000

PART NO. MH-H-xx

DWG NO. MH-H-xx

FILE NO.

UNIT / mm

CHECKED BY CY

DRAWING BY

PROJECTION

TOLERANCES ARE

.X ± 0.2
 .XX ± 0.1
 .XXX ±
 AWG

DESCRIP TION:

AREA	REVISIONS	HK	DATE
------	-----------	----	------



www.allconnectors.eu | info@allconnectors.eu
 Tel. +49 (0)711 / 358 110 20 | Fax +49 (0)711 / 358 110 25